

CH 系列 IC 常用封装尺寸

版本: 2E

<http://wch.cn>

封装	页码
DIP8	3
DIP14	4
DIP16	5
DIP18	6
DIP20	7
DIP24S/SKDIP24/DIP24-300mil	8
DIP28S/SKDIP28/DIP28-300mil	9
DIP28/DIP28W/DIP28-600mil	10
SDIP28/SDIP28-400mil	11
SDIP32/SDIP32-400mil	12
SOP8	13
SOP14	14
SOP16/SOP16-150mil	15
SOP18	16
SOP20	17
SOP24	18
SOP28	19
SOP30	20
SSOP16/SSOP16-209mil-0.65	21
SSOP20/SSOP20-209mil-0.65	22
SSOP24/SSOP24-209mil-0.65	23
SSOP28/SSOP28-209mil-0.65	24
MSOP10	25
TSSOP8	26
TSSOP14	27
TSSOP16	28
TSSOP20	29
TSSOP24	30
TSSOP28	31
PQFP44/QFP44	32
PQFP52/QFP52	33
PQFP64/QFP64/LQFP64-14*14	34
PQFP80/QFP80	35
LQFP32/LQFP32-7*7	36
LQFP44/LQFP44-10*10	37
LQFP48/LQFP48-7*7	38
LQFP64/LQFP64-7*7	39
LQFP64M/LQFP64-10*10	40
LQFP80/LQFP80-12*12	41
LQFP100/LQFP100-14*14	42
LQFP128/LQFP128-14*14	43

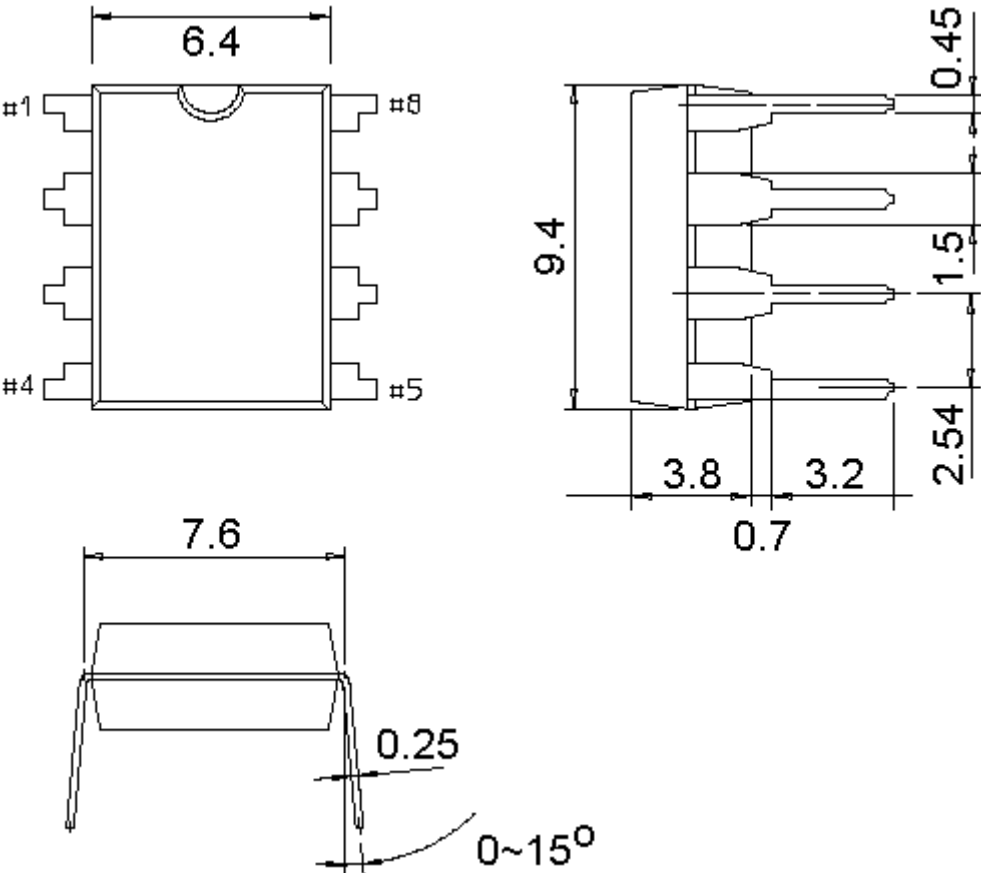
QFN16/QFN16-3*3	44
QFN24/QFN24-4*4	45
QFN28/QFN28-4*4	46
QFN28X/QFN28-5*5	47
QFN32X/QFN32-5*5	48
QFN48/QFN48-5*5	49
SOT363/SC70-6L	50
SOT353/SC70-5L	50

说明：所有尺寸标注的单位都是 mm（毫米），

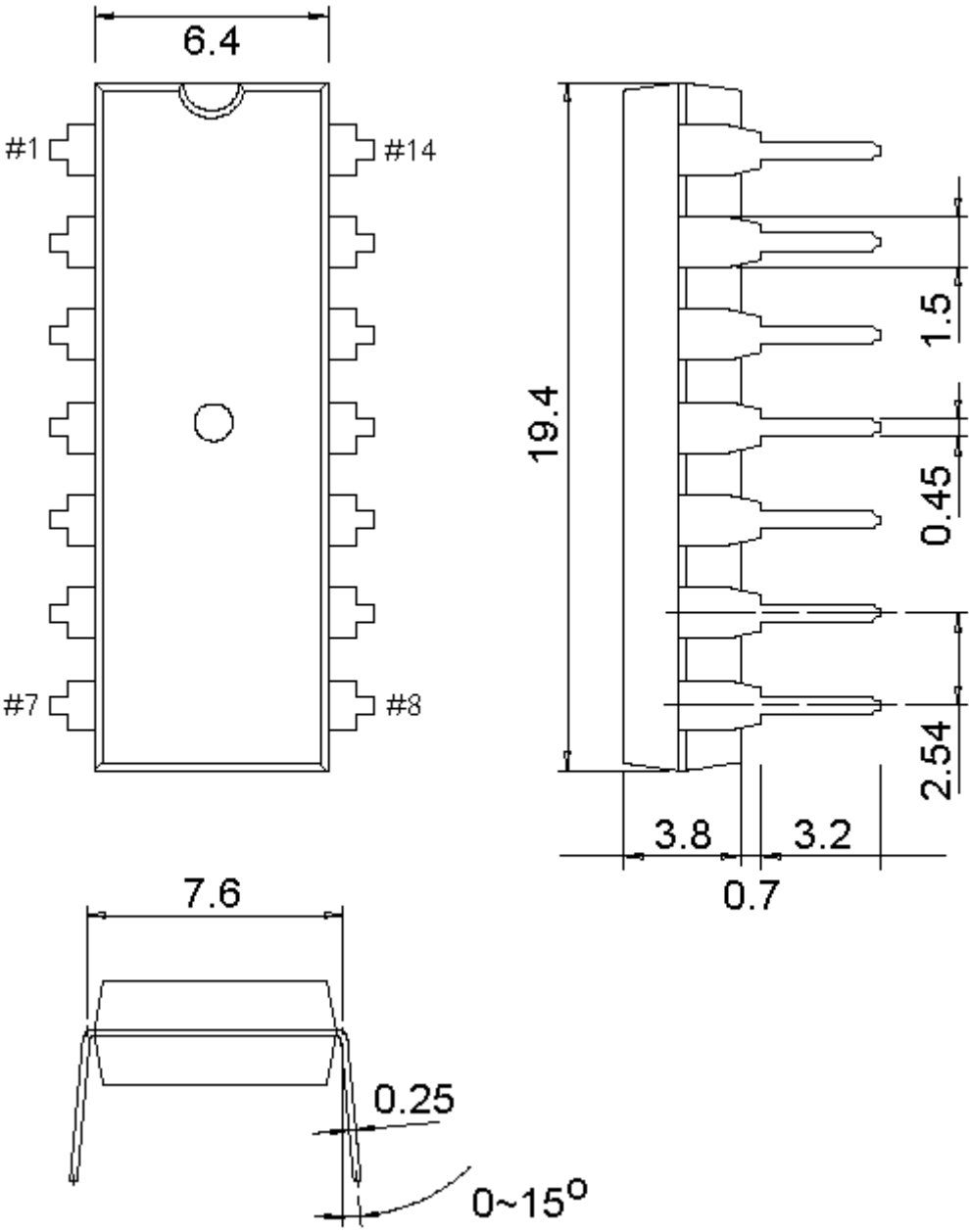
引脚中心间距总是标称值，没有误差，除此之外的尺寸误差不大于±0.5mm。

DIP 类 (PDIP)

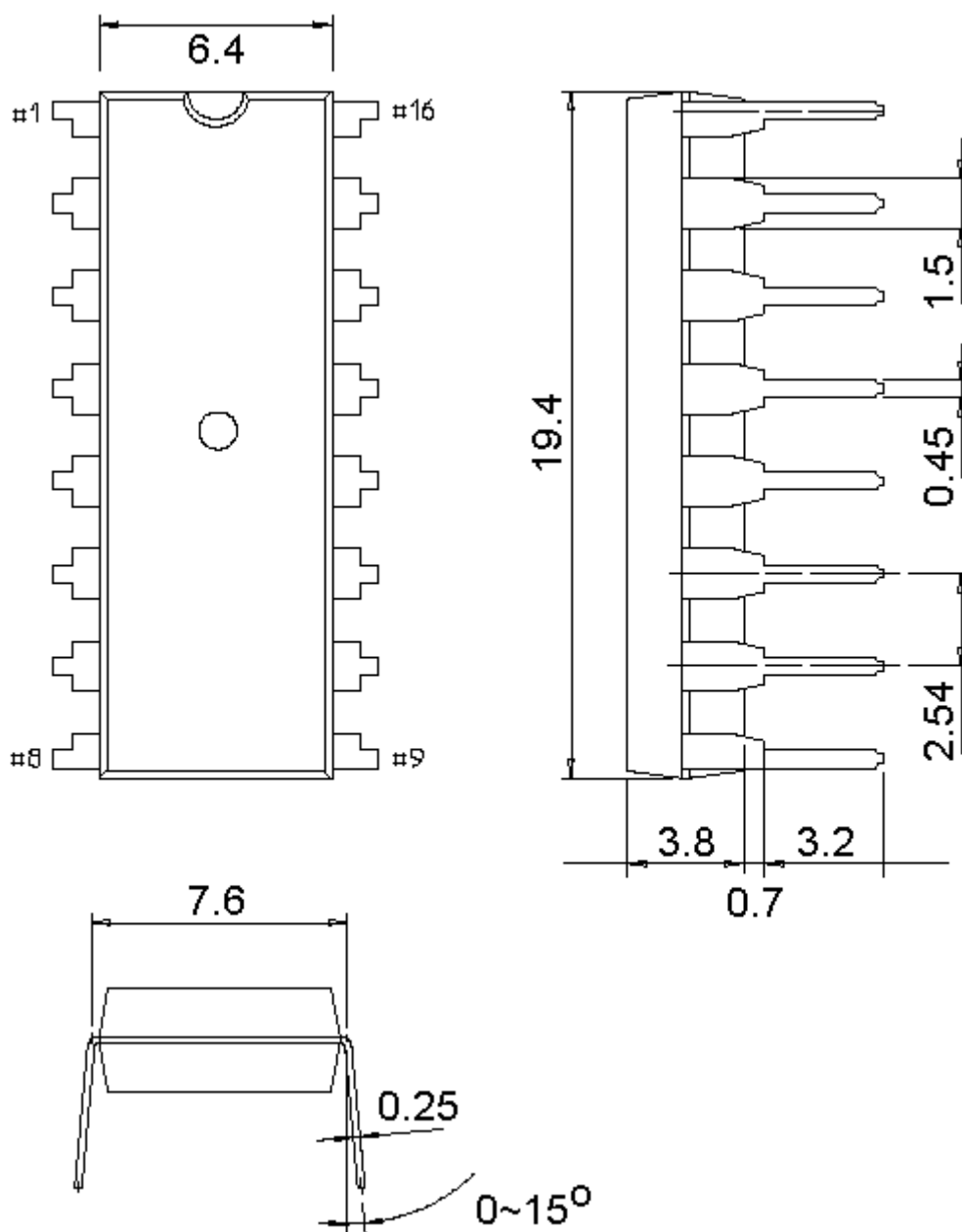
DIP8



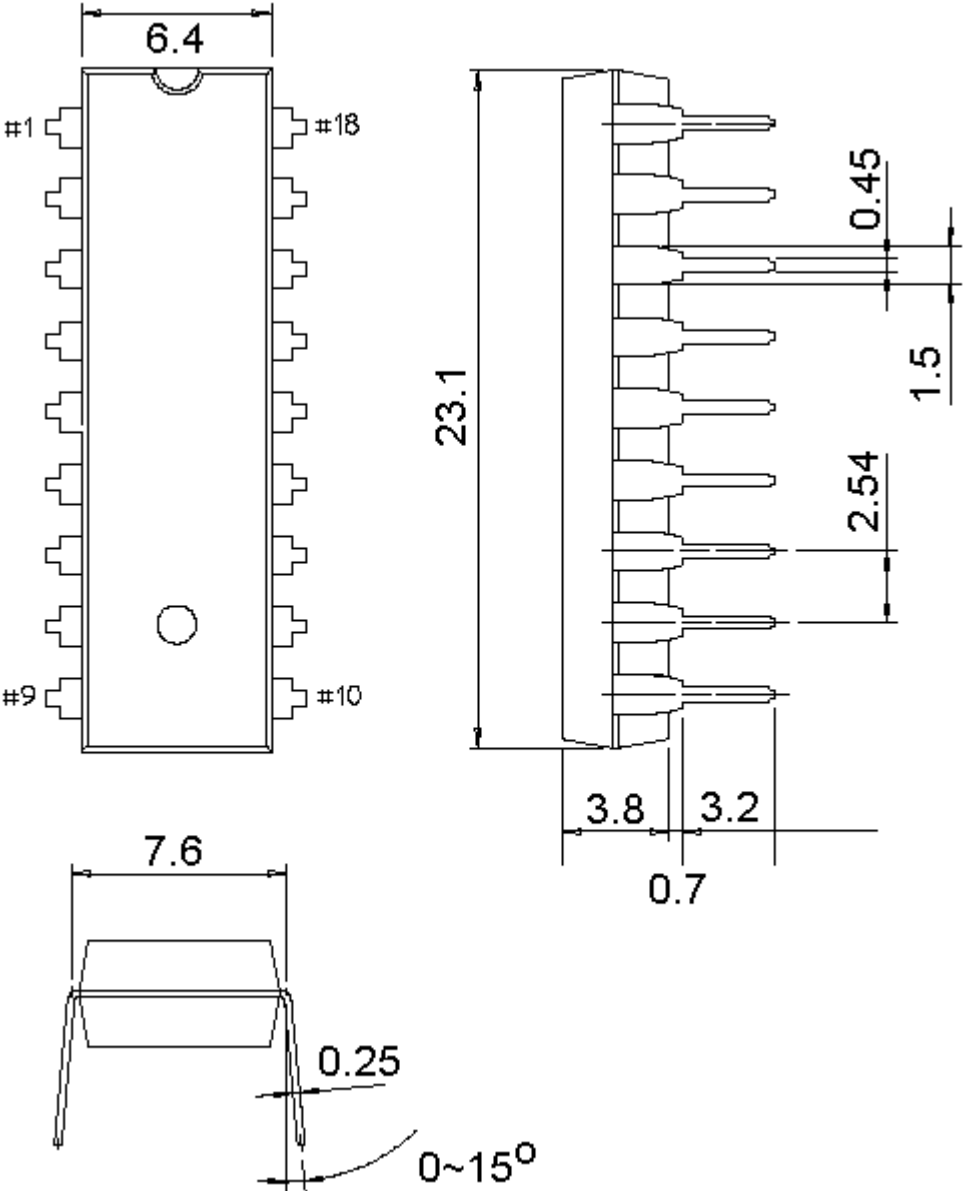
DIP14



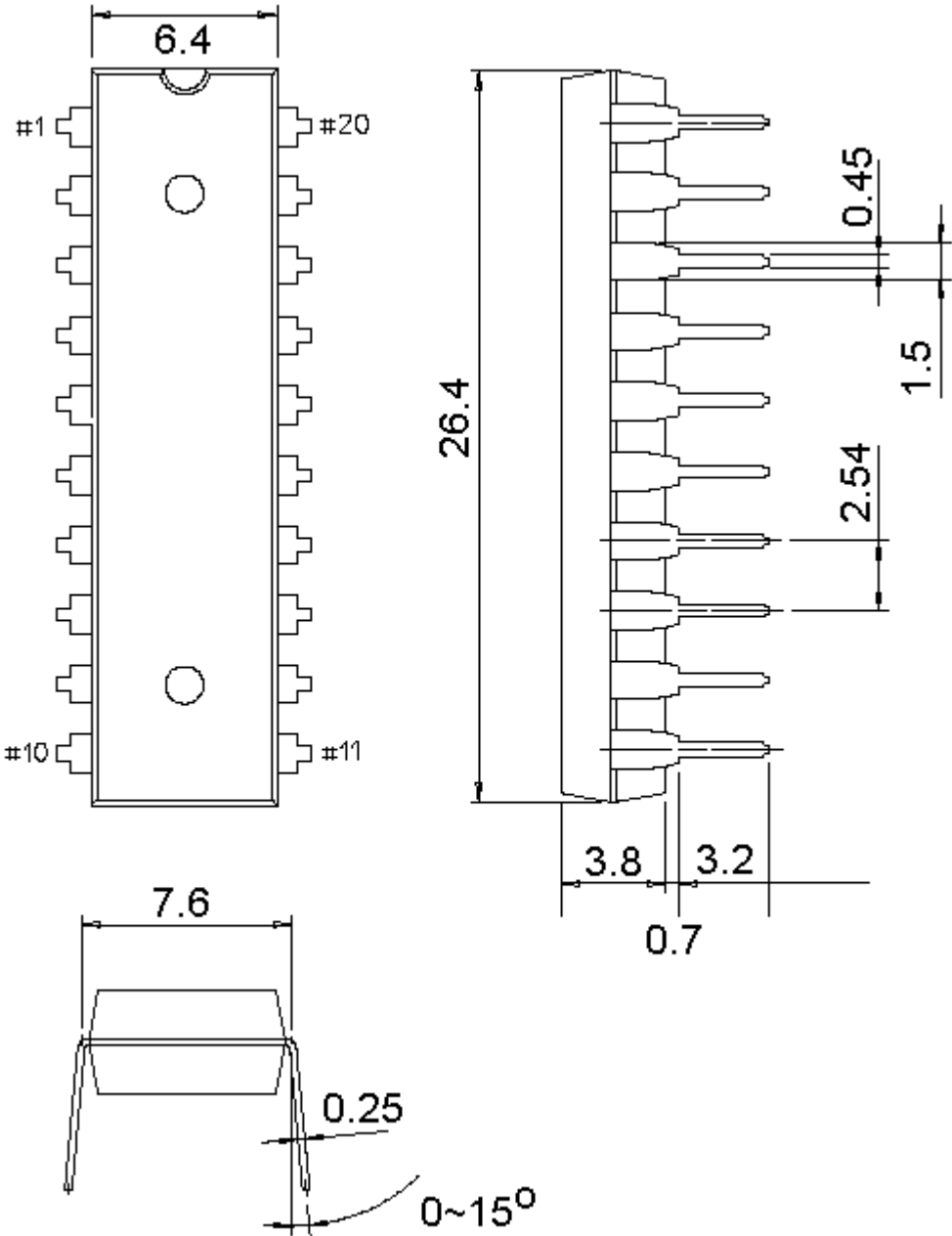
DIP16



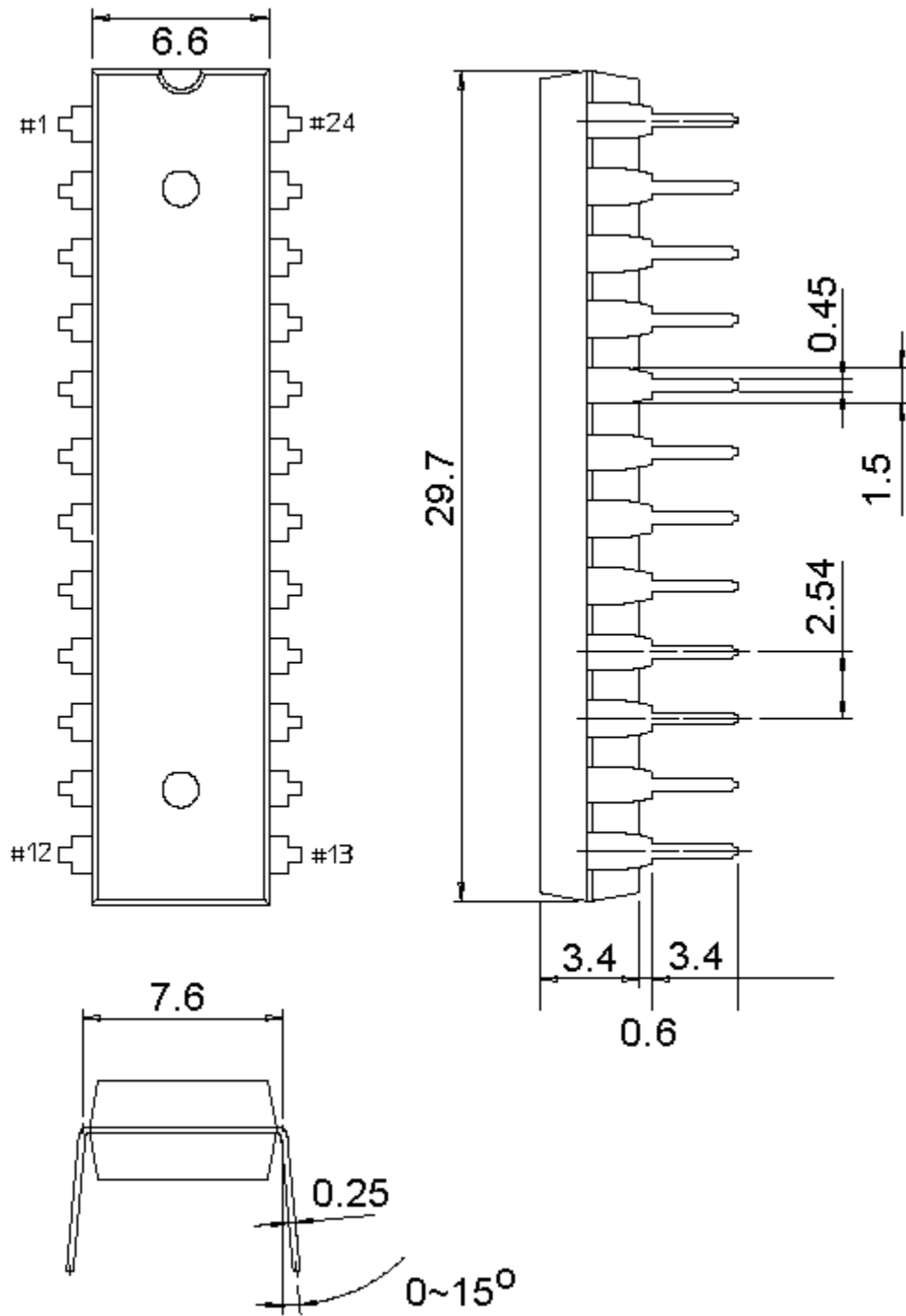
DIP18



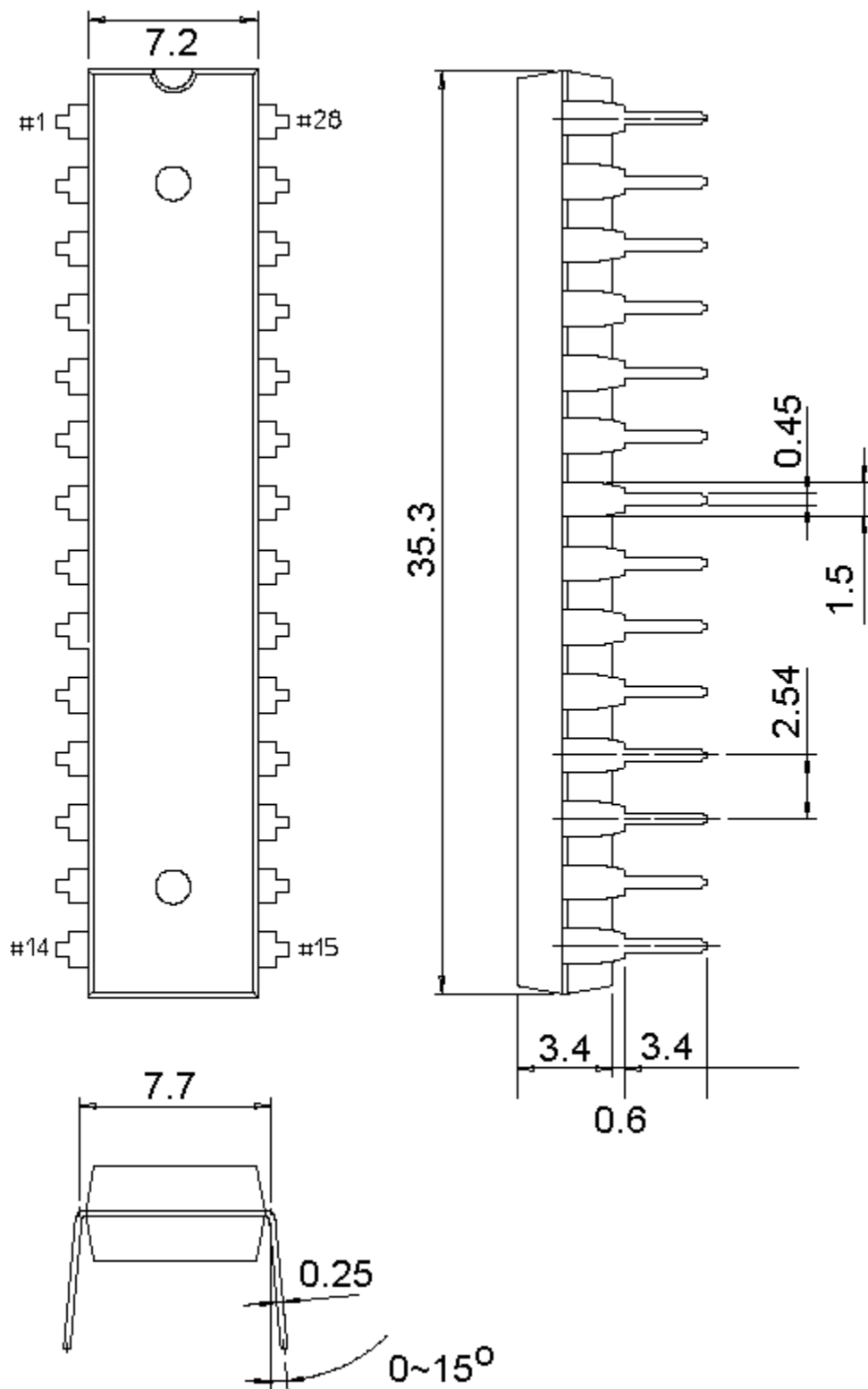
DIP20



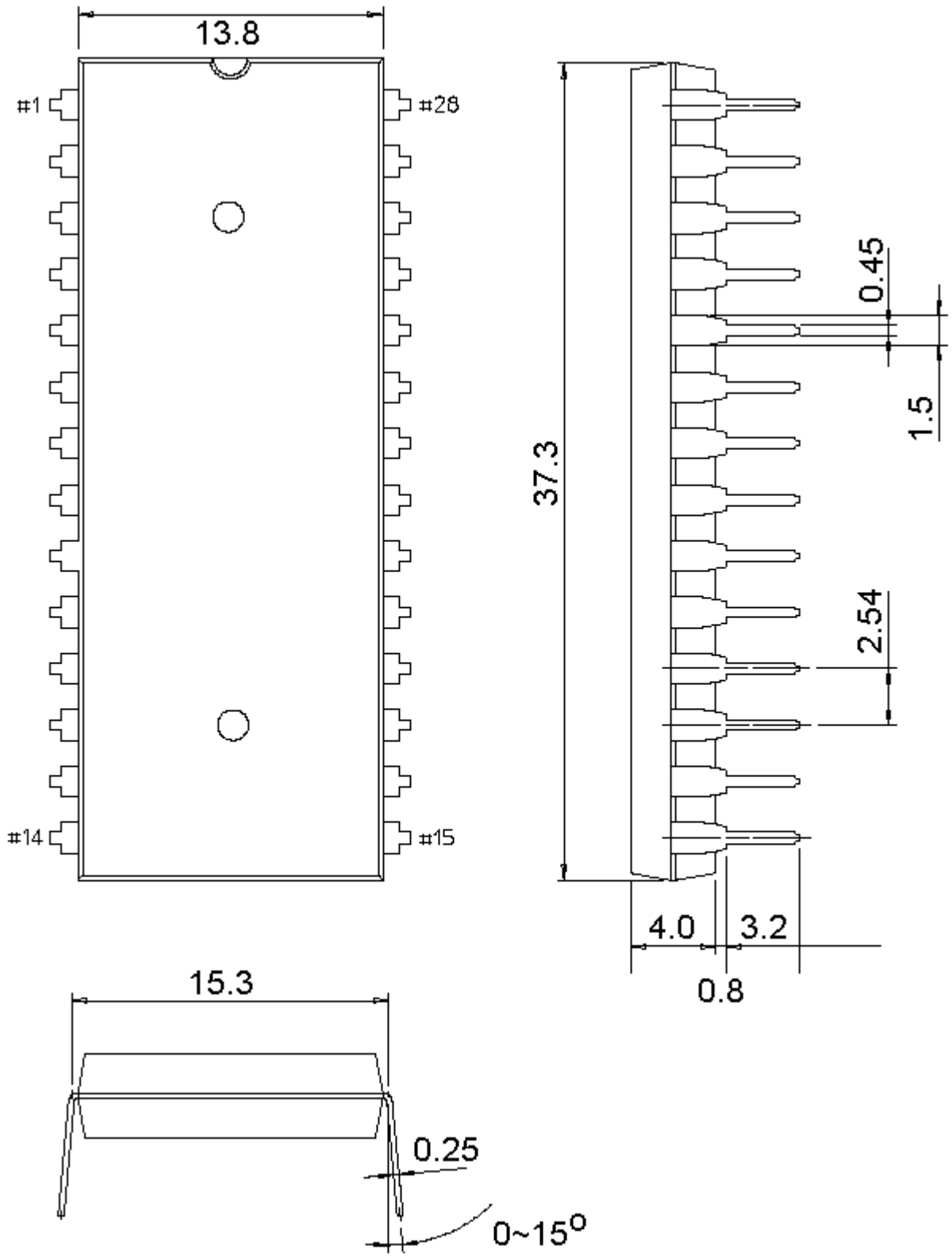
DIP24S (SKDIP24、DIP24-300mil)



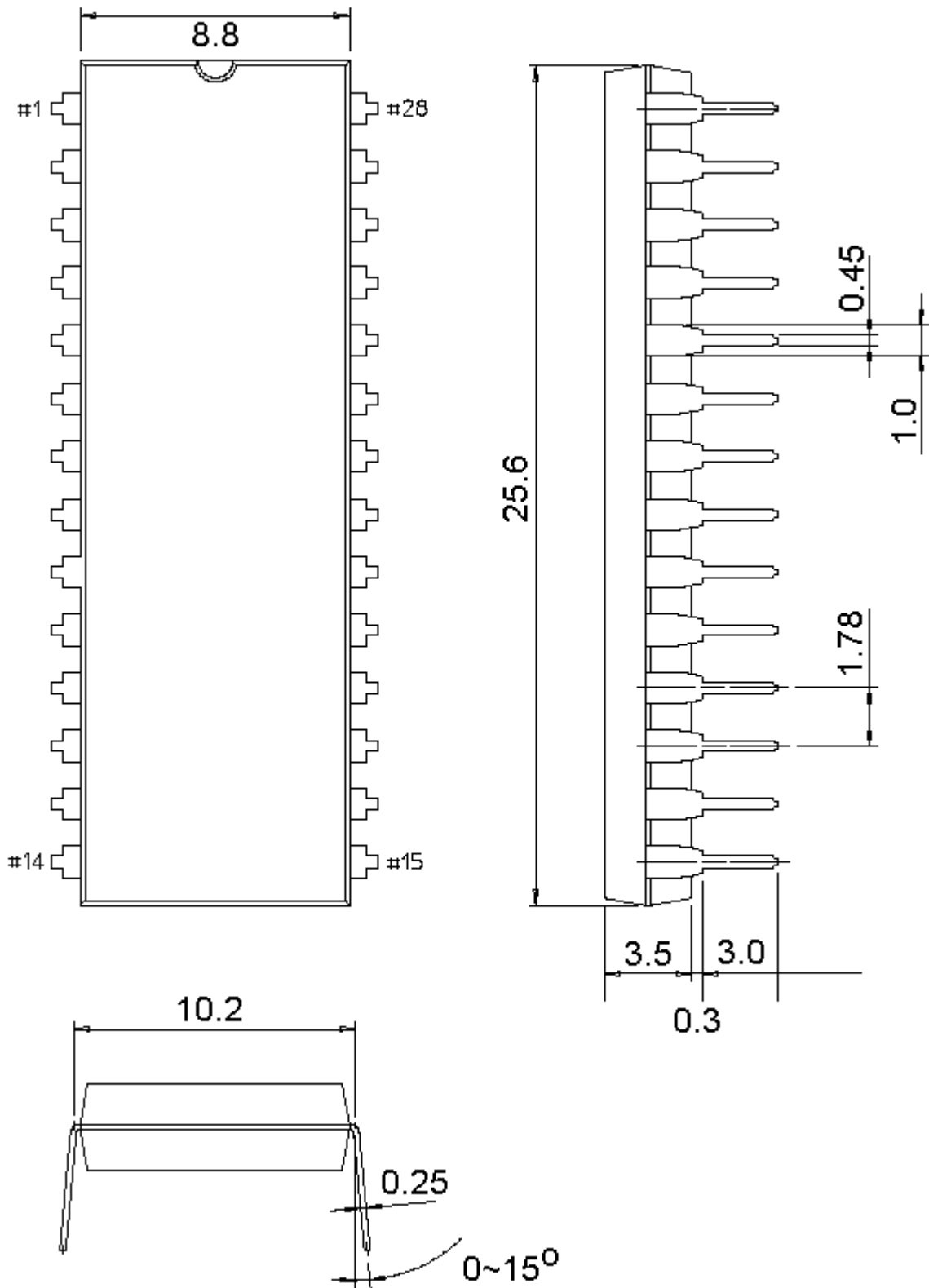
DIP28S (SKDIP28、DIP28-300mil)



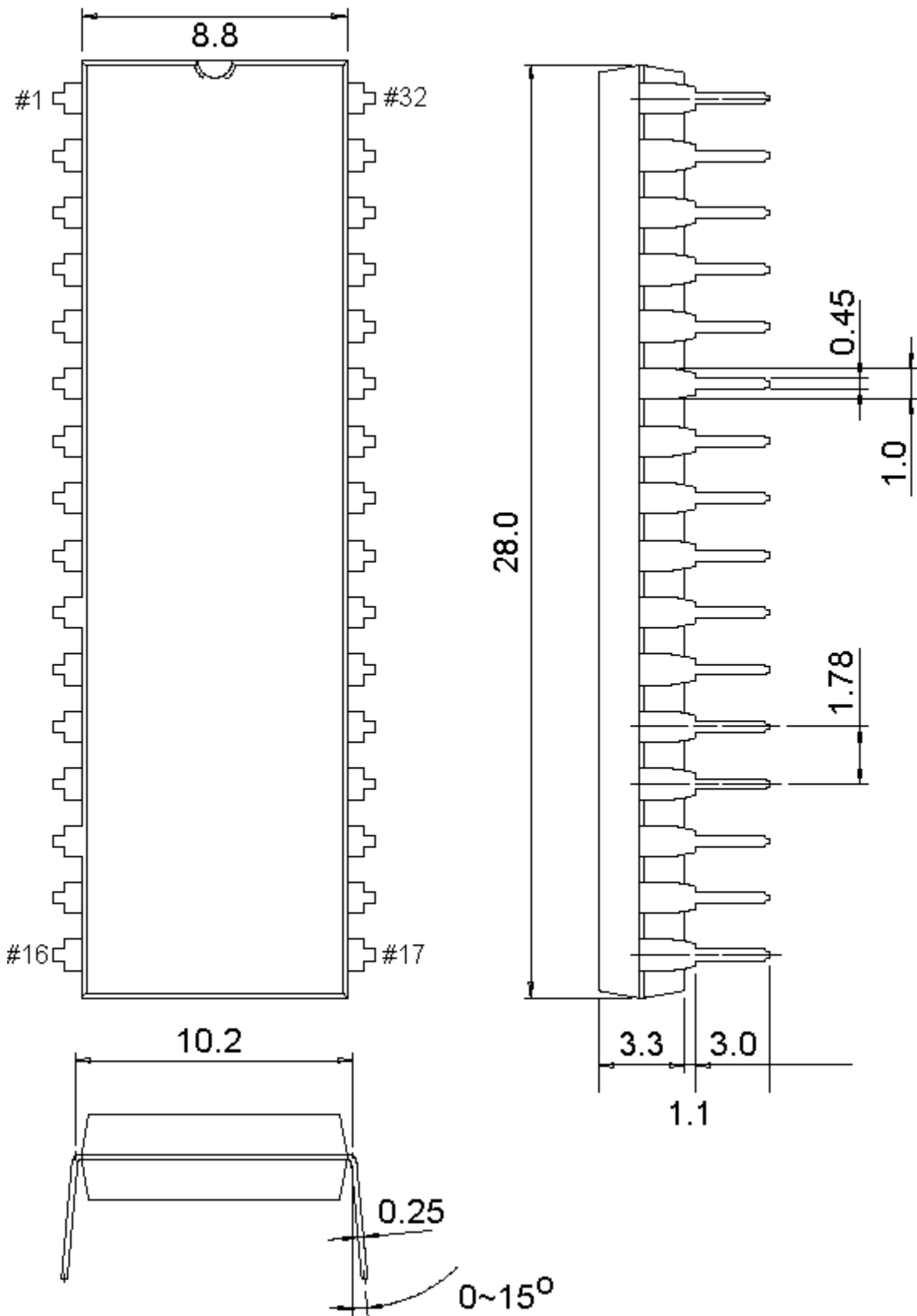
DIP28 (DIP28W、DIP28-600mil)



SDIP28 (SDIP28-400mil)

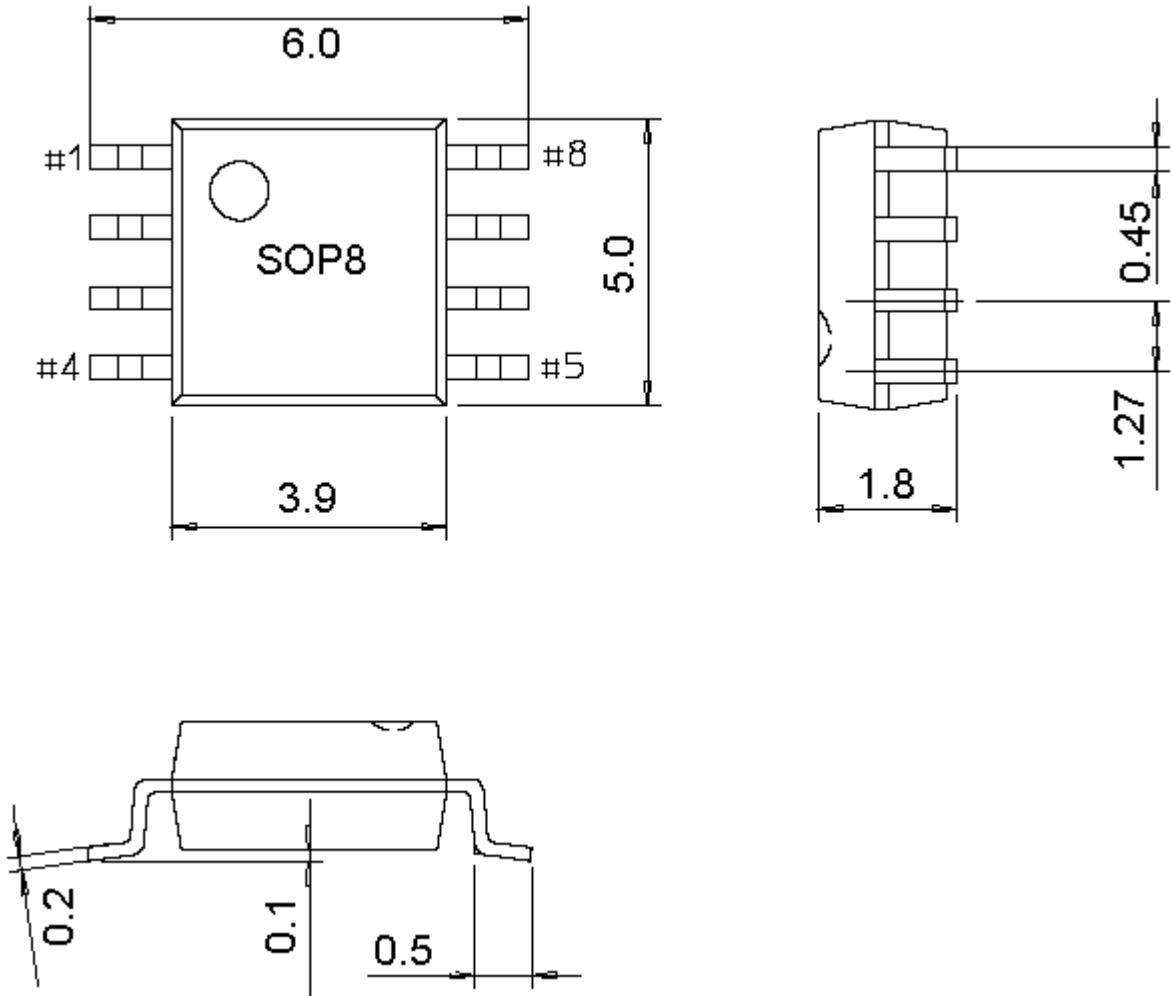


SDIP32 (SDIP32-400mil)

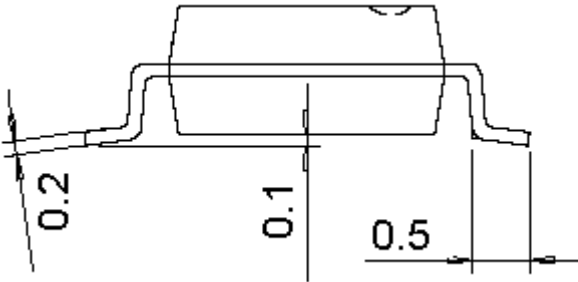
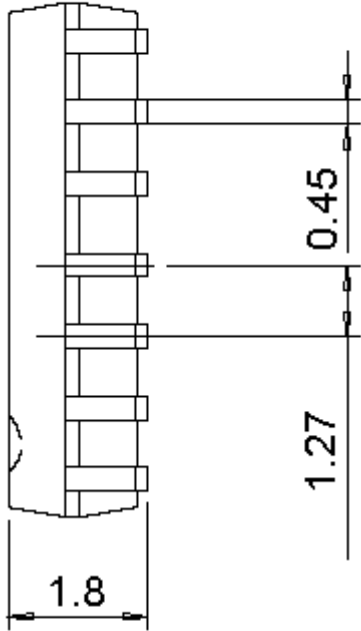
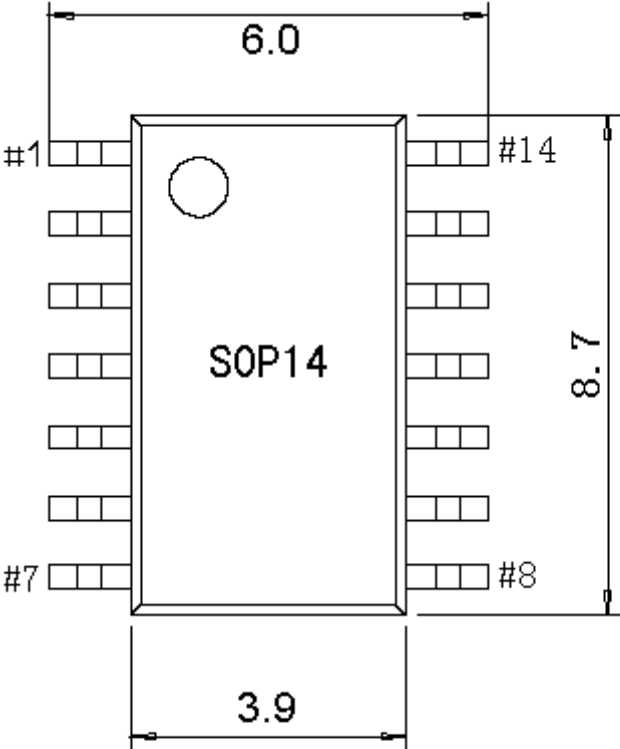


SOP 类 (SOIC)

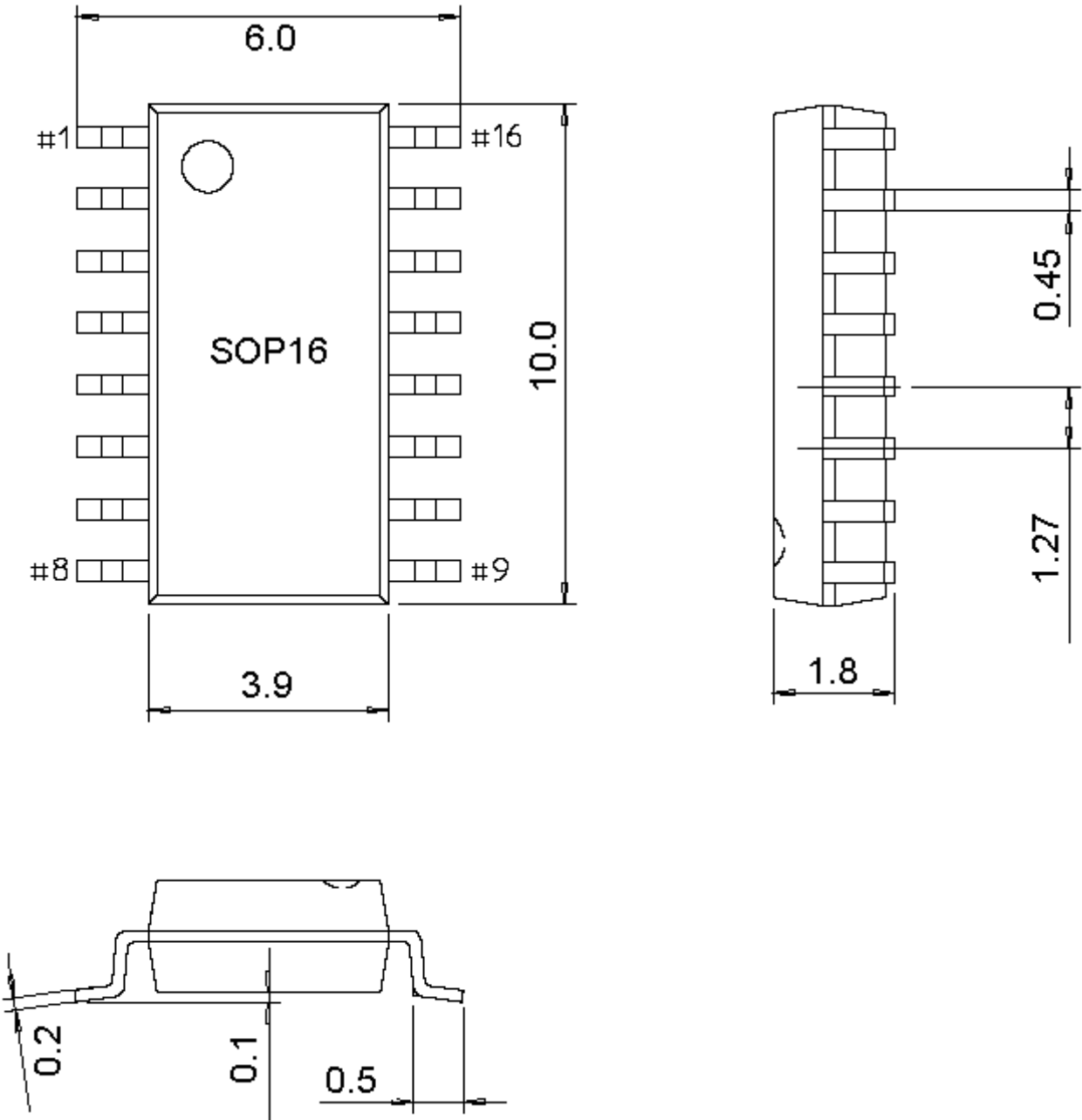
SOP8



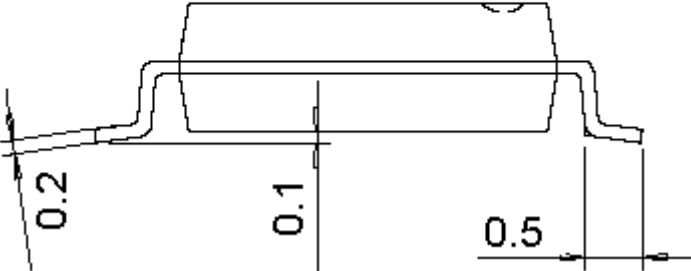
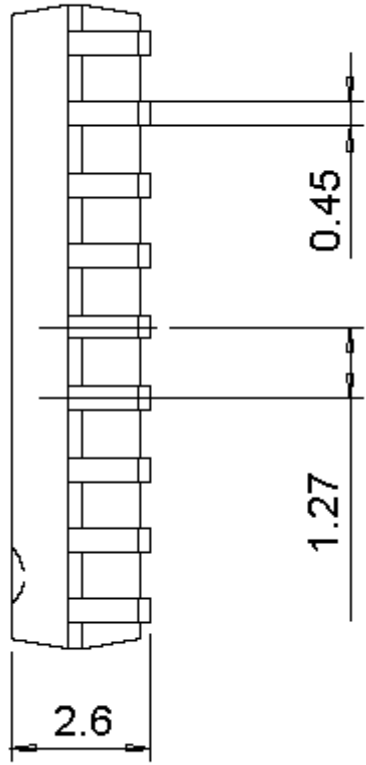
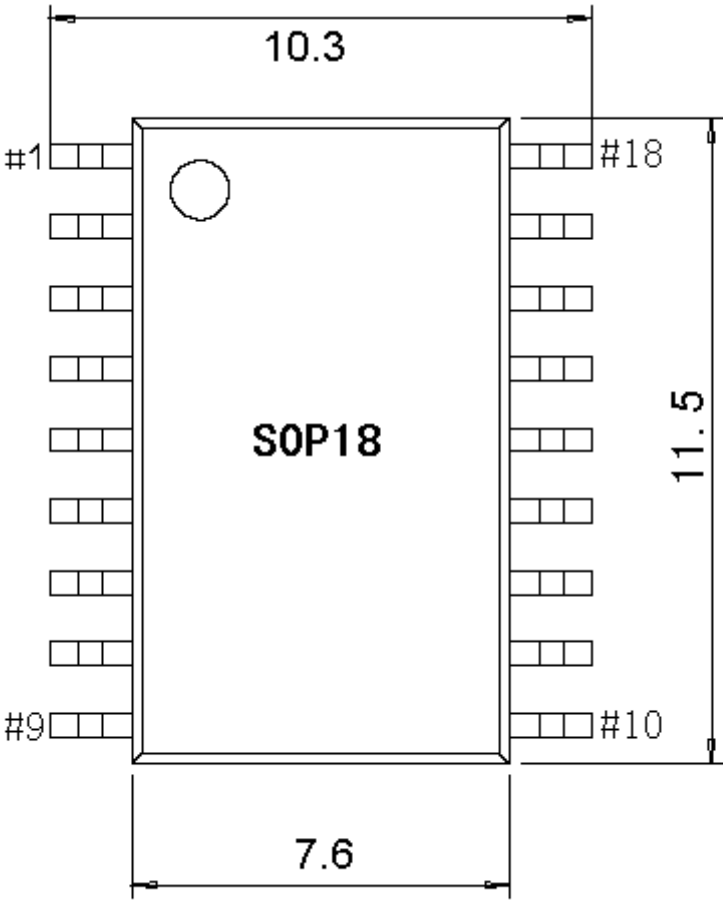
SOP14



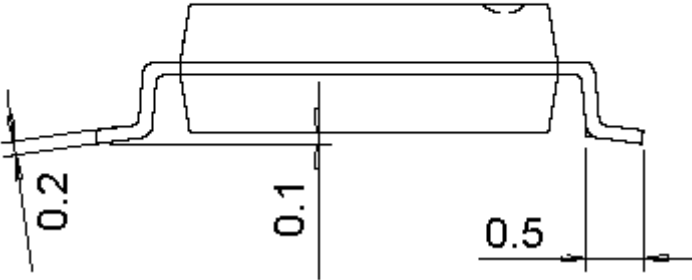
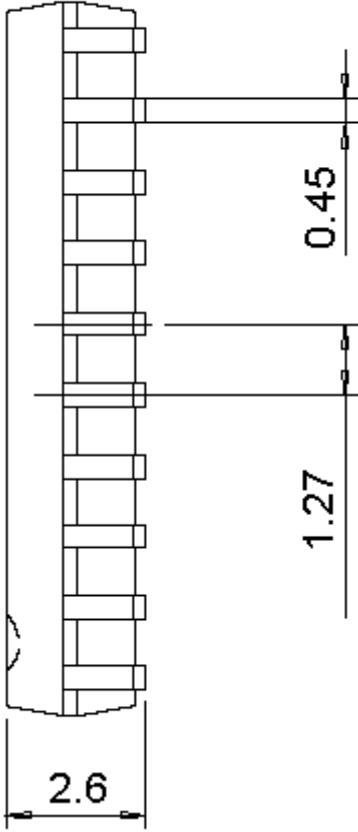
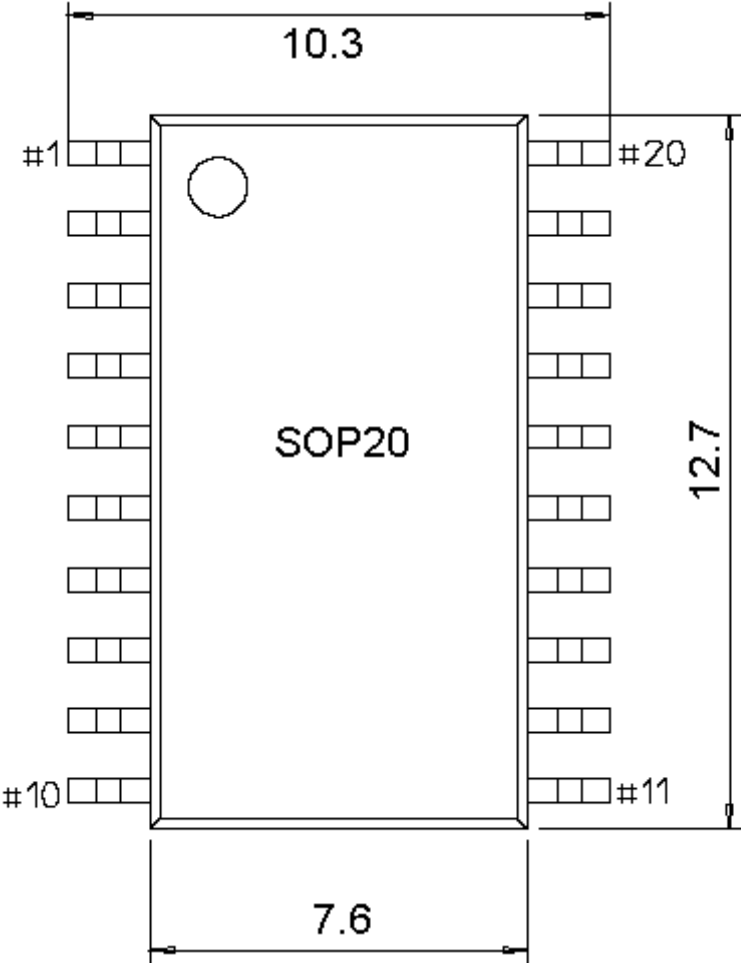
SOP16 (SOP16-150mil)



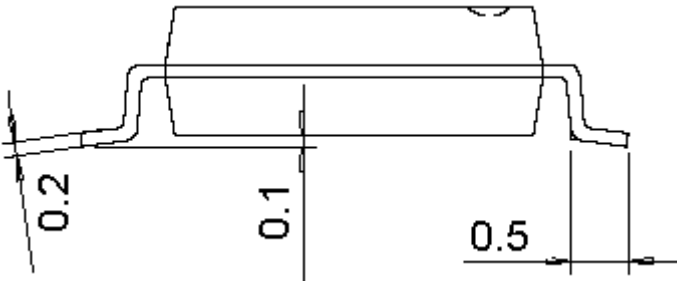
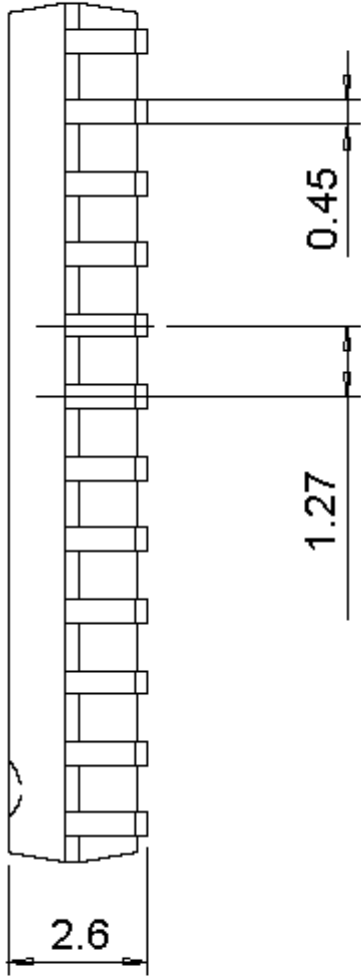
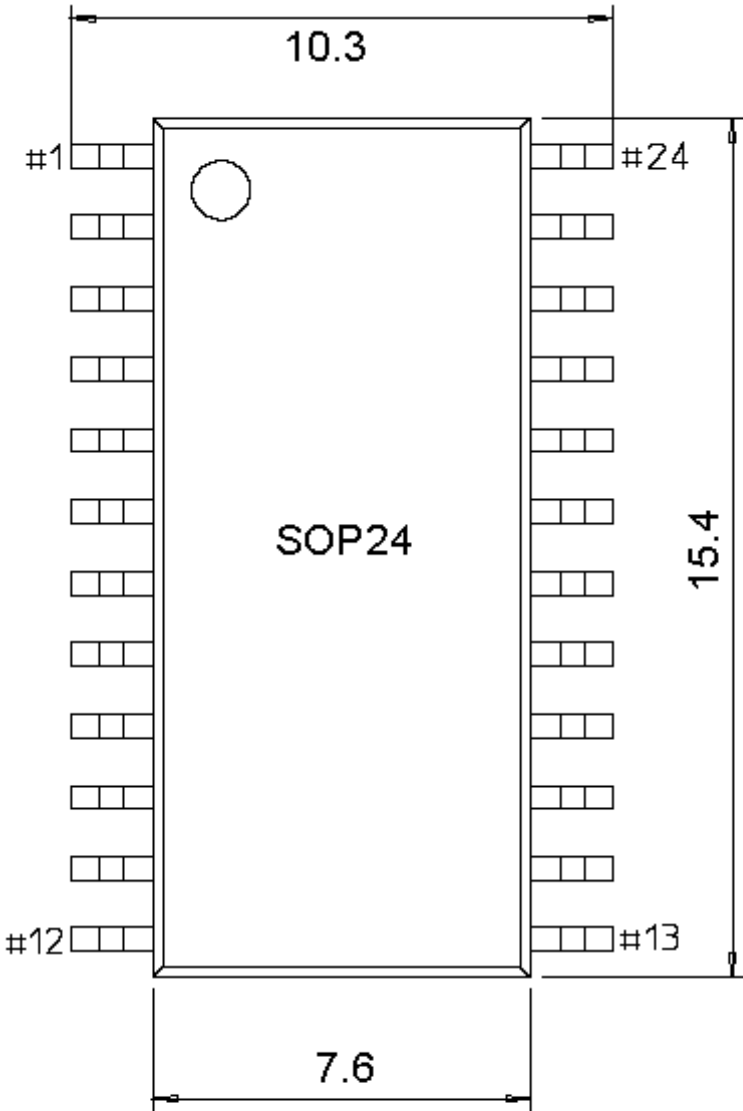
SOP18



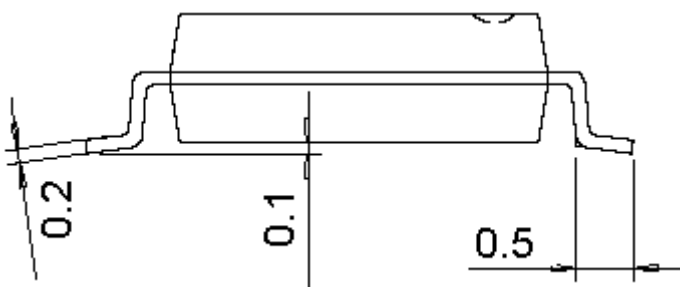
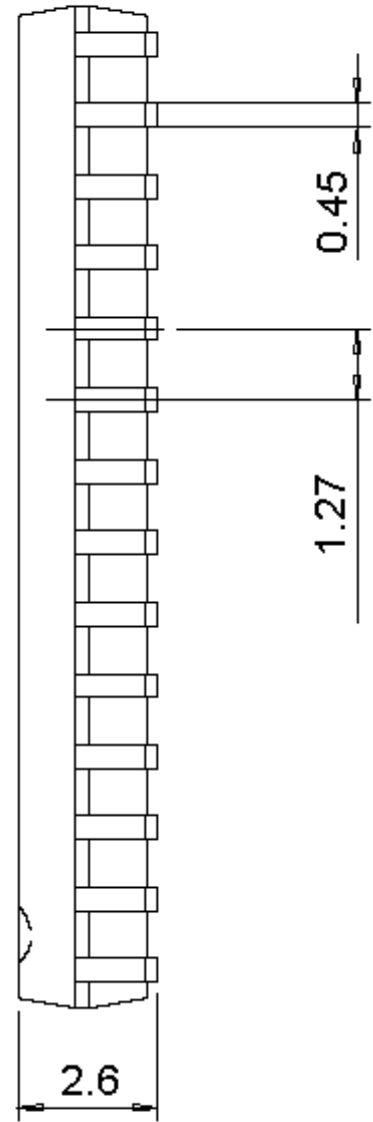
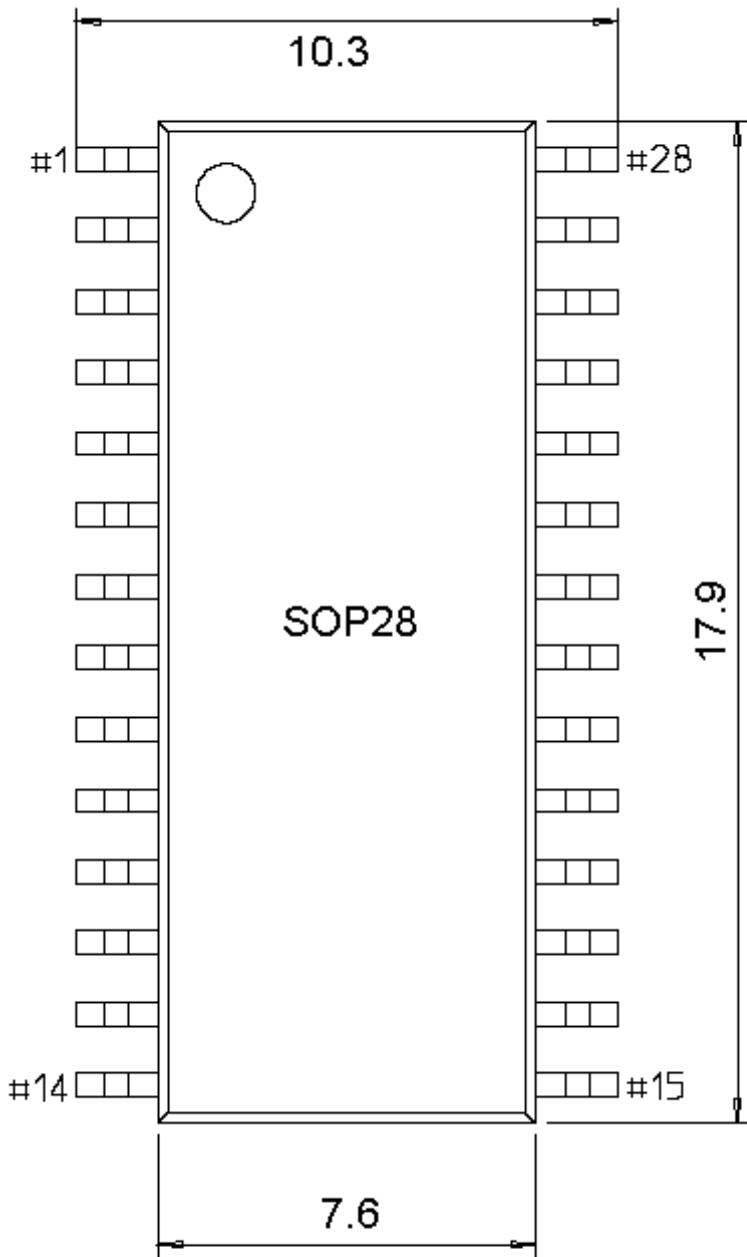
SOP20



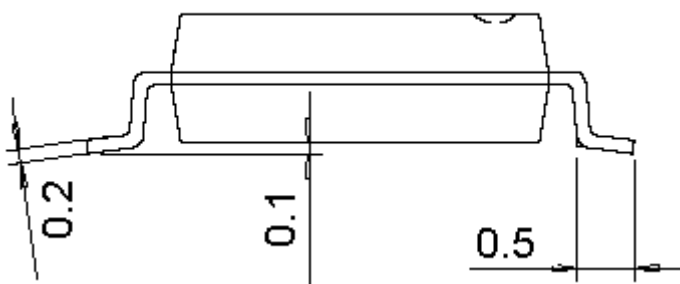
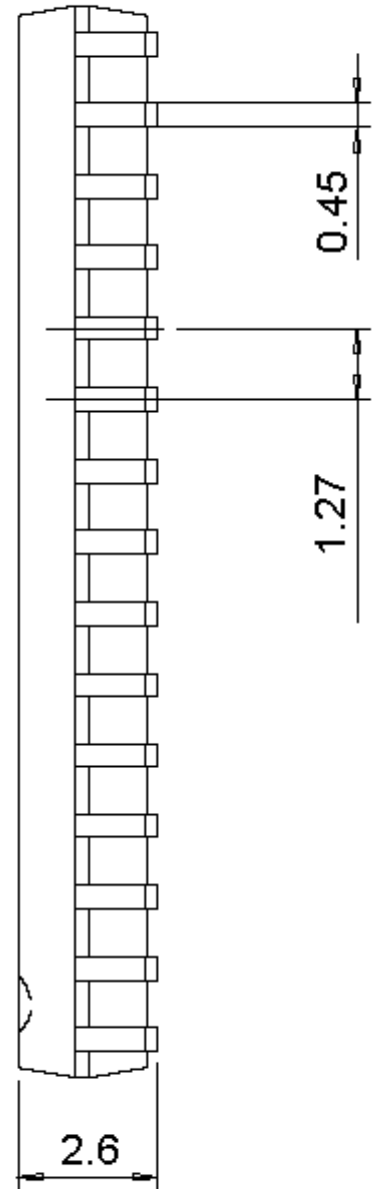
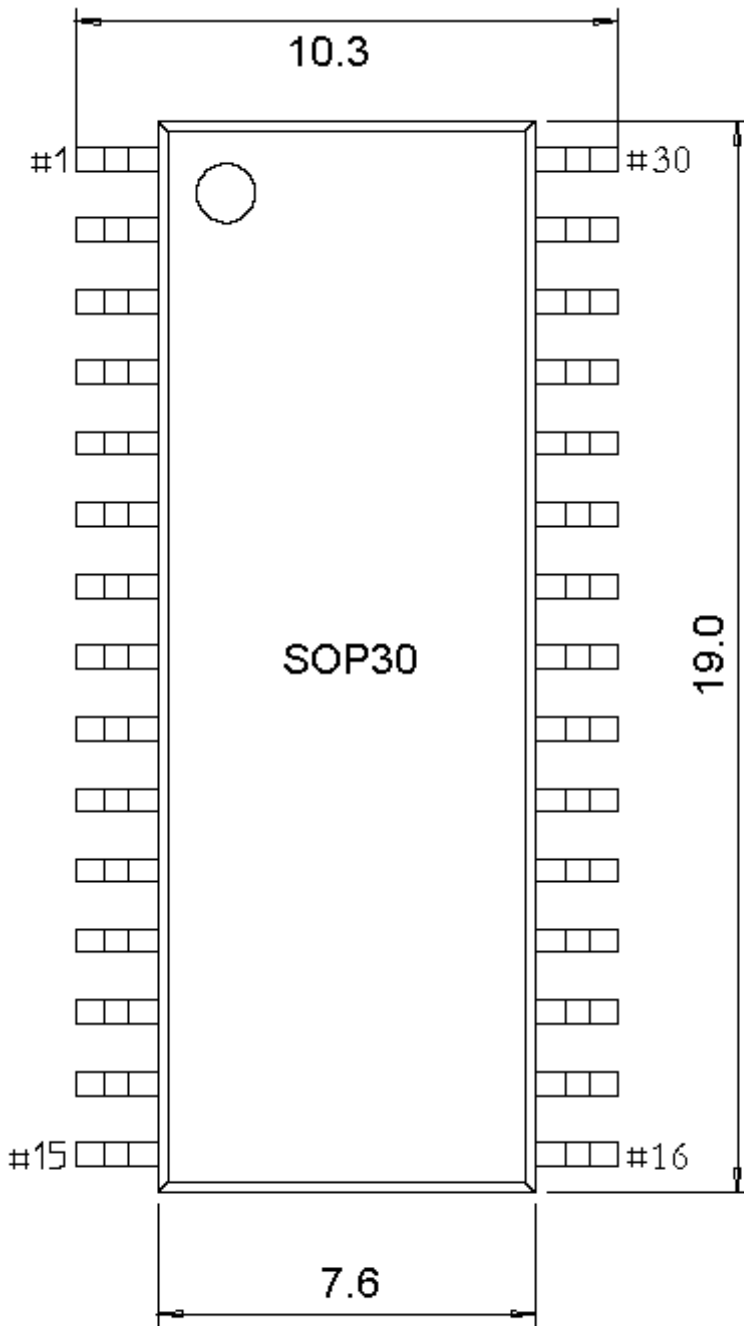
SOP24



SOP28

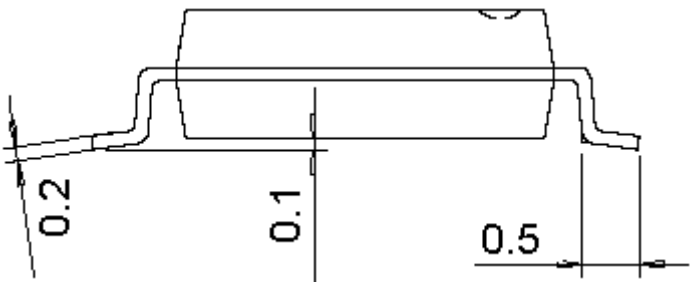
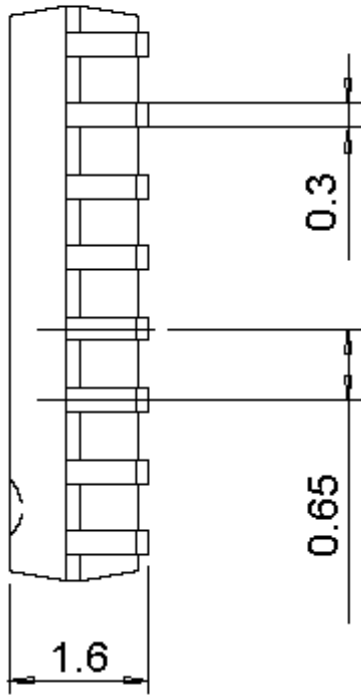
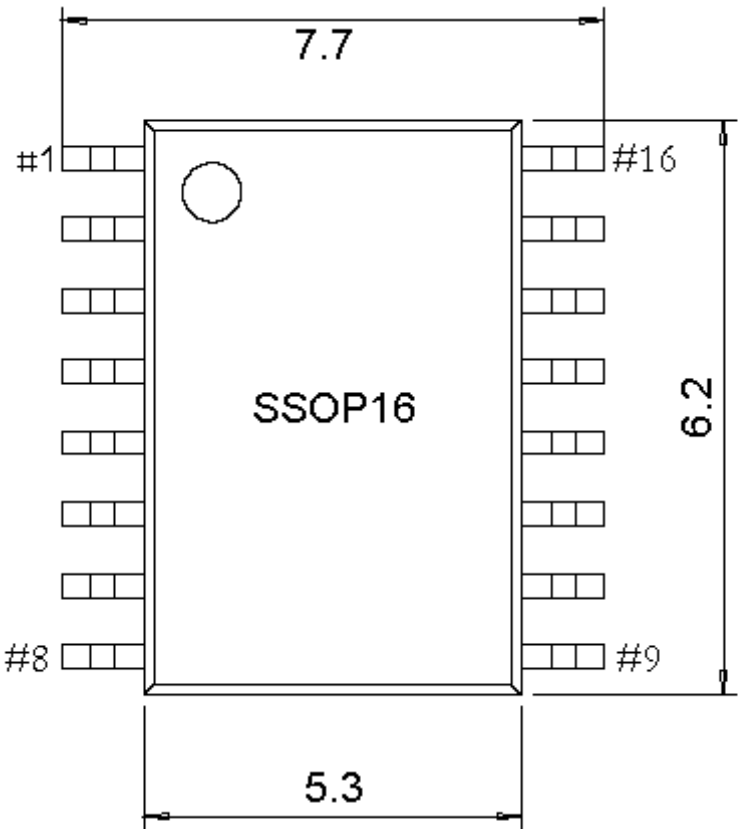


SOP30

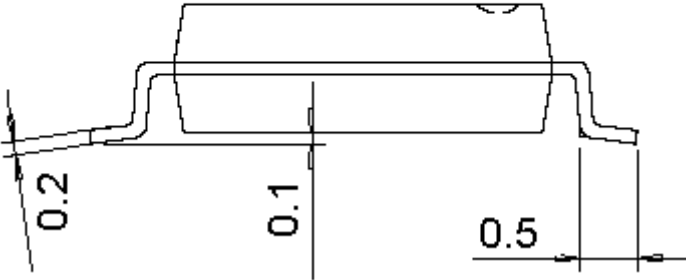
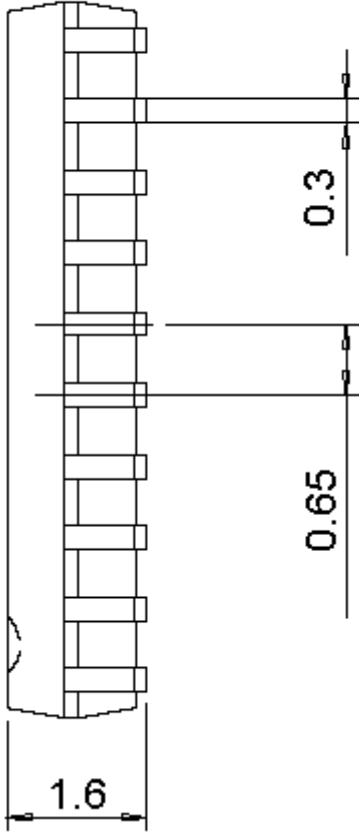
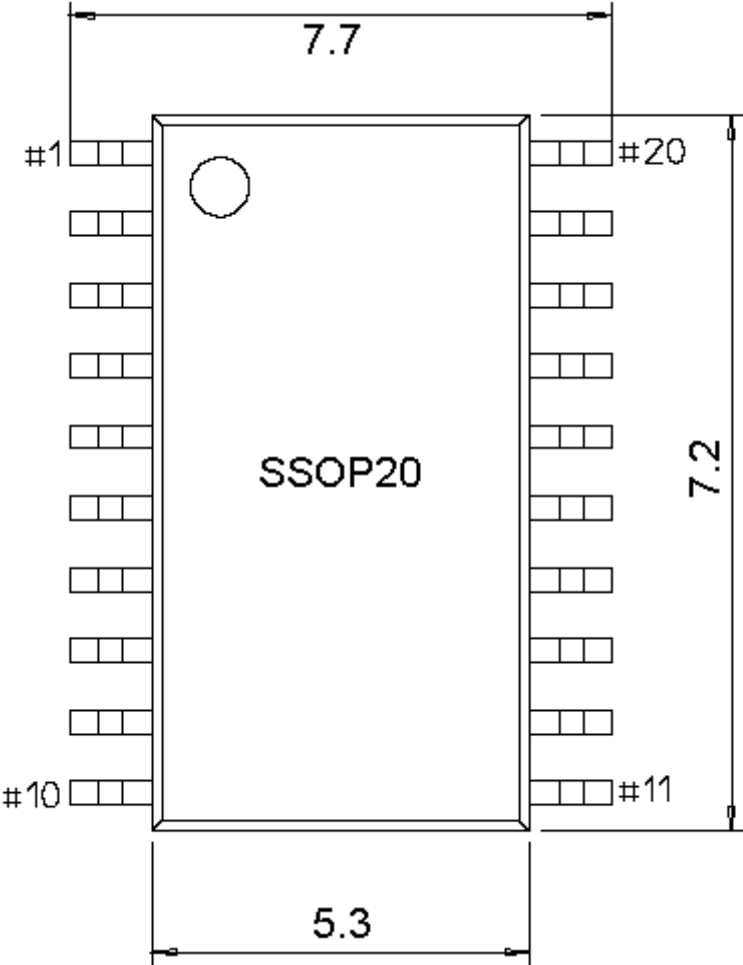


SSOP 类

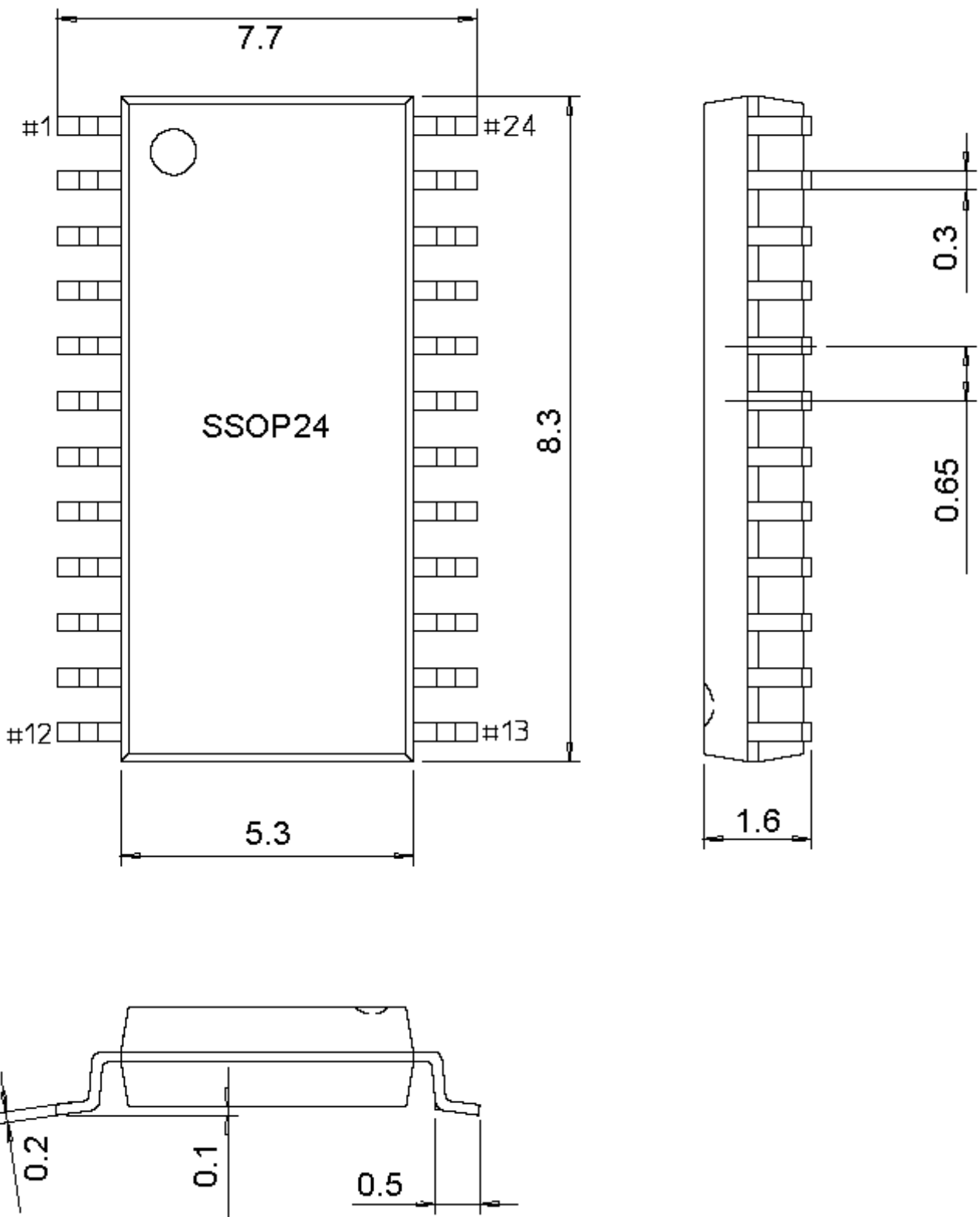
SSOP16 (SSOP16-209mil-0.65)



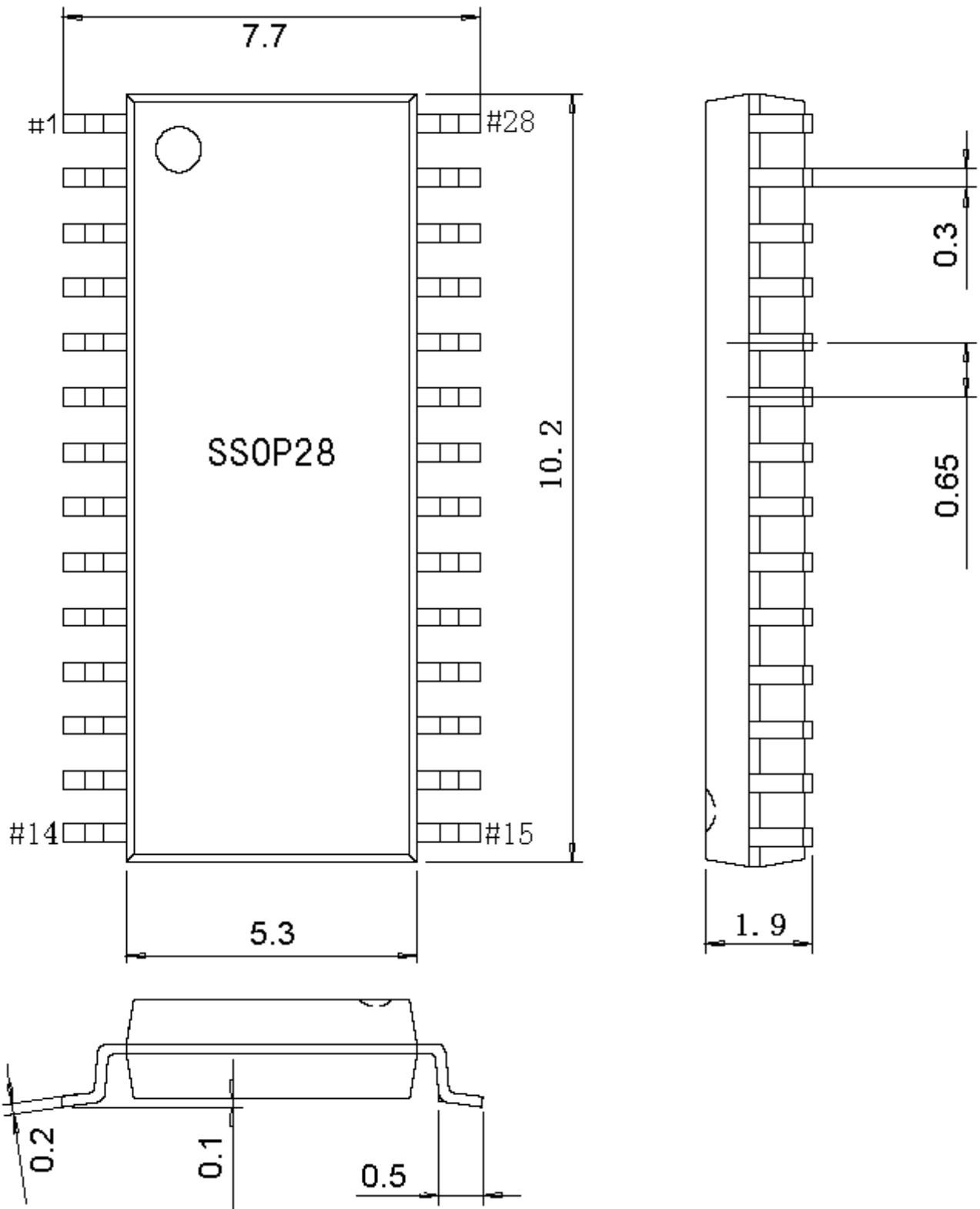
SSOP20 (SSOP20-209mil-0.65)



SSOP24 (SSOP24-209mil-0.65)

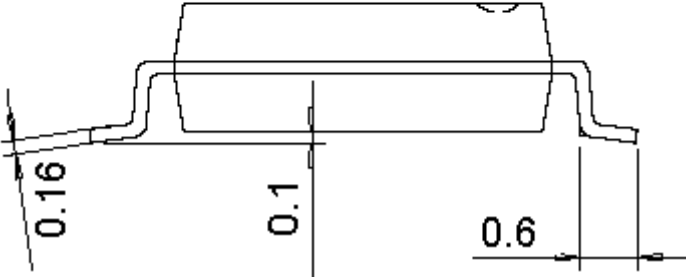
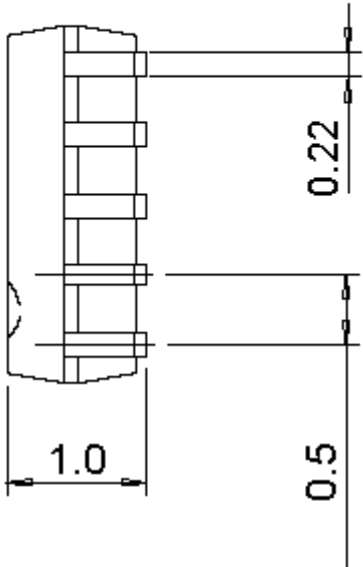
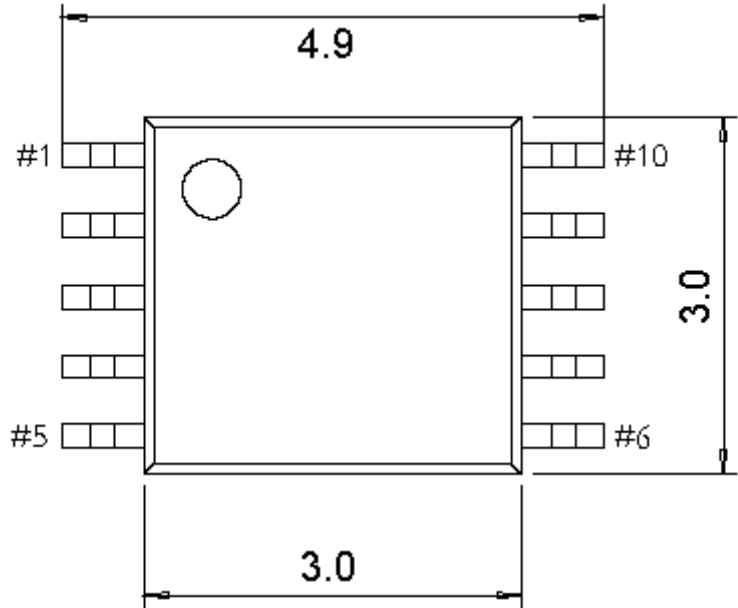


SSOP28 (SSOP28-209mil-0.65)



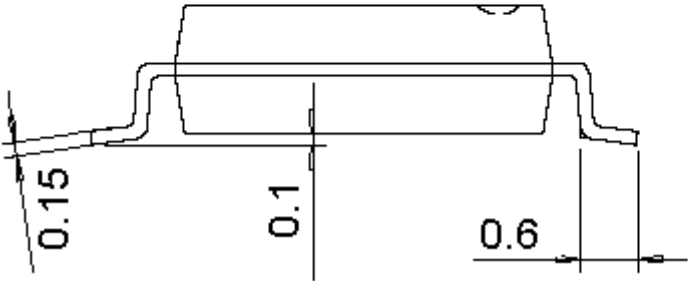
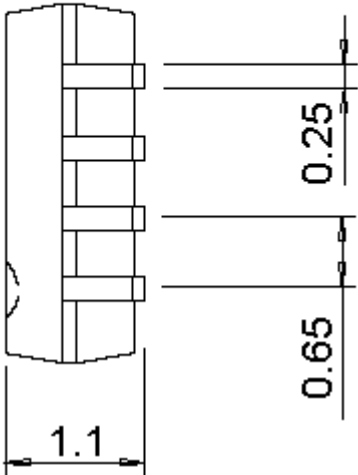
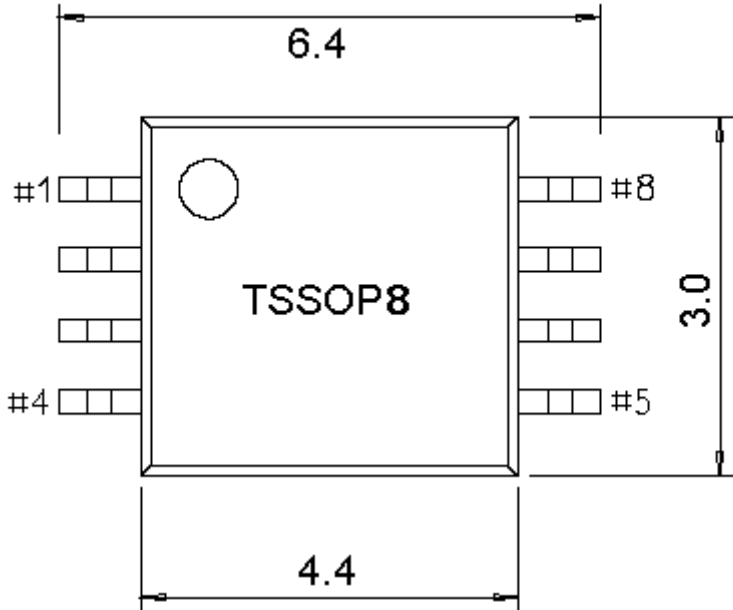
MSOP 类

MSOP10

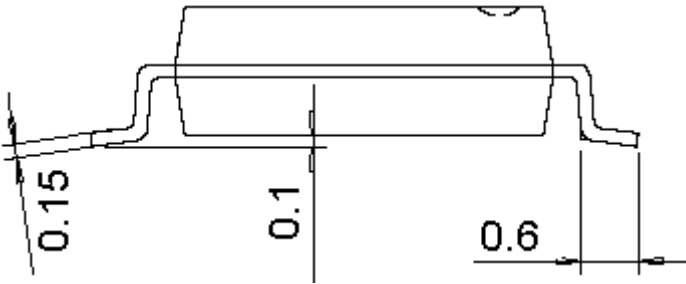
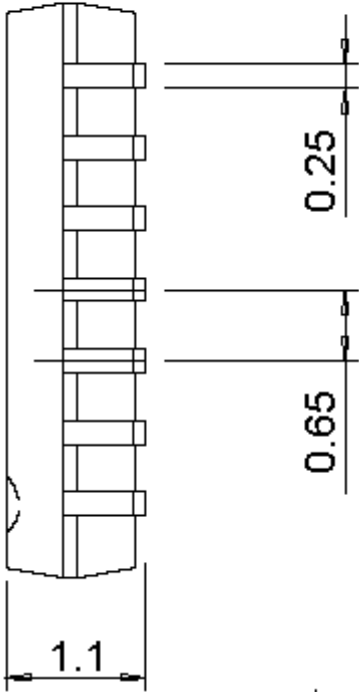
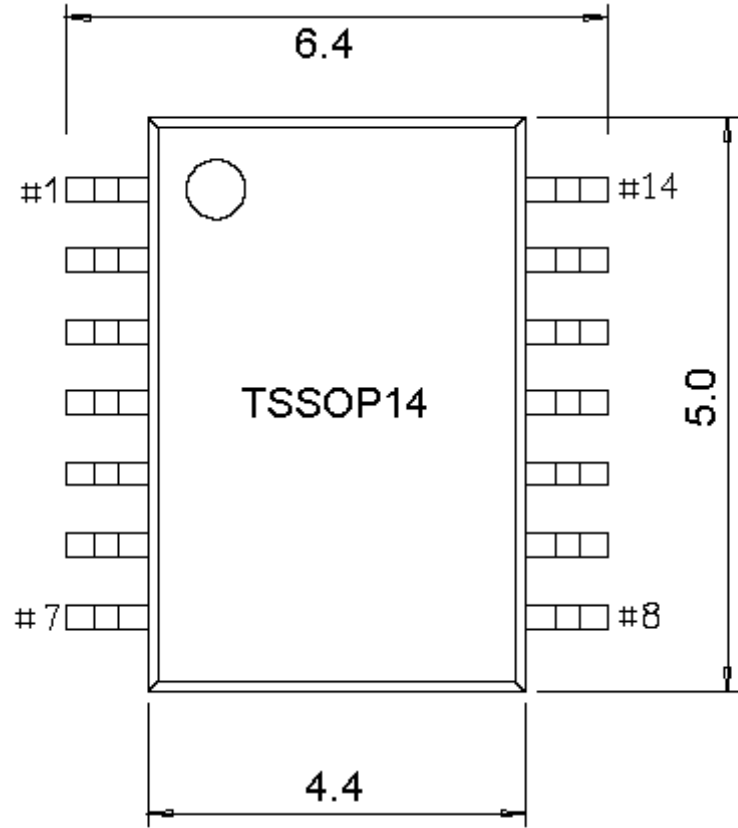


TSSOP 类

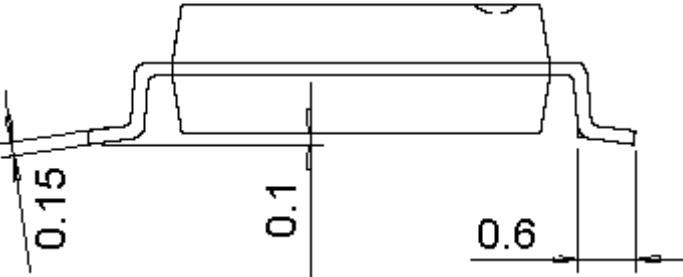
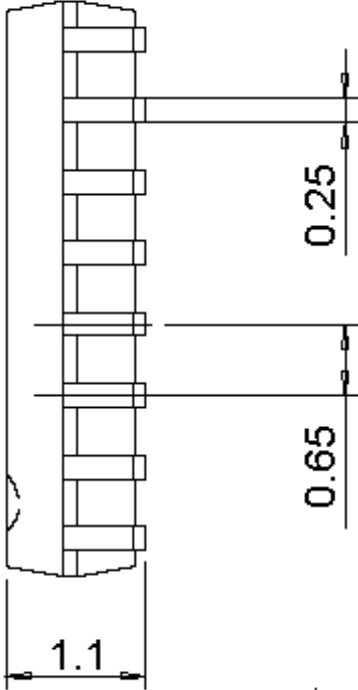
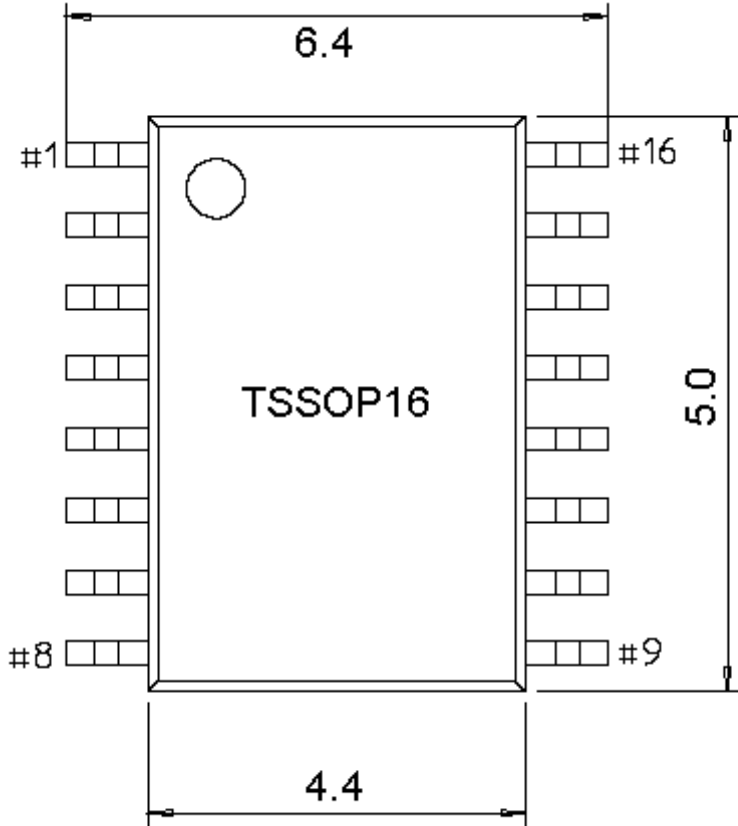
TSSOP8



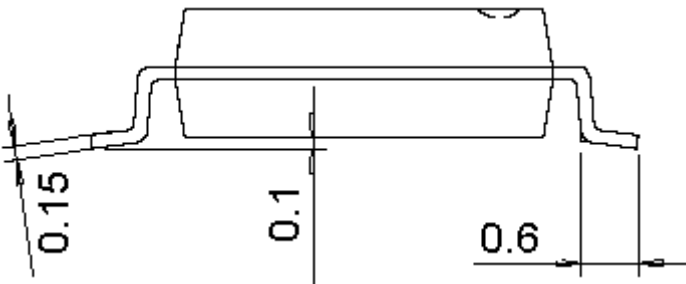
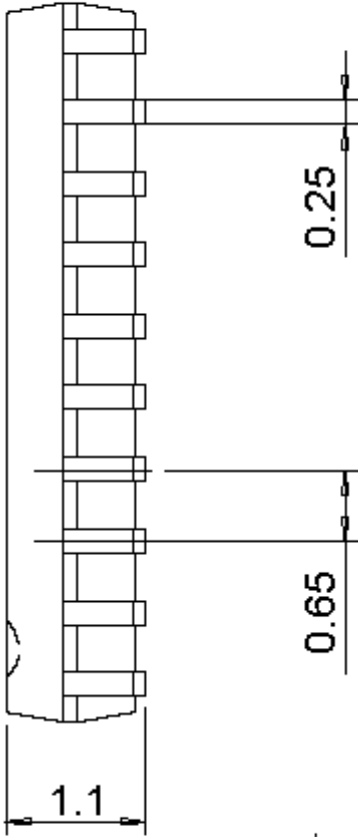
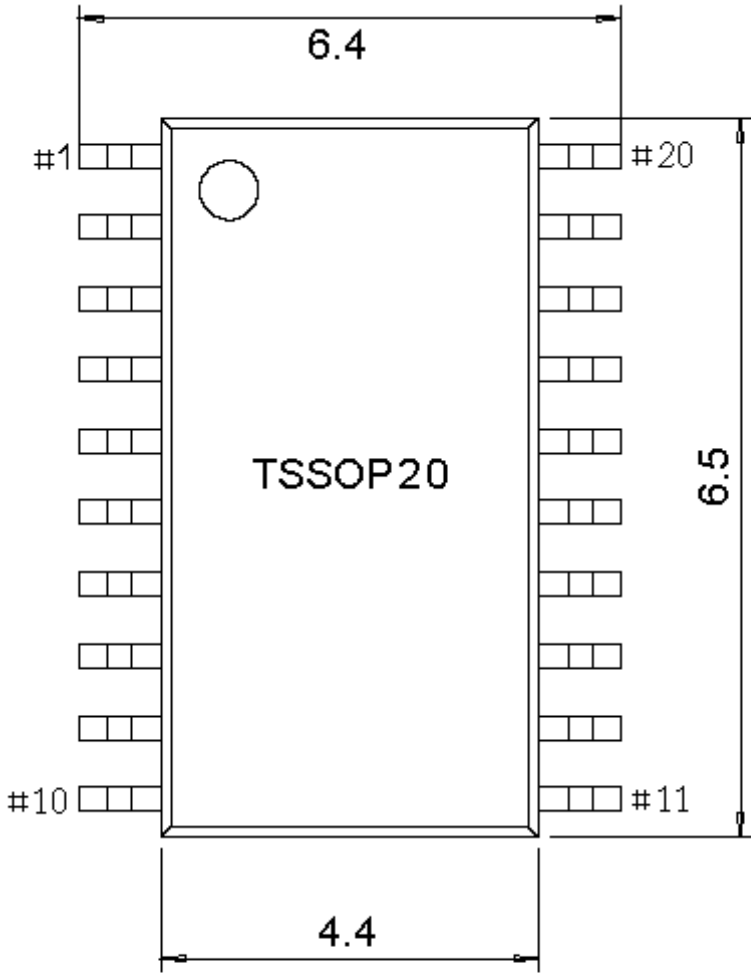
TSSOP14



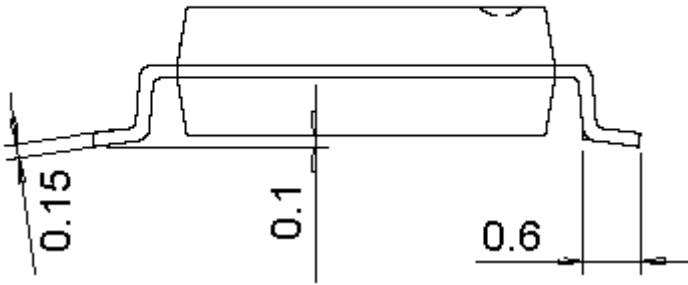
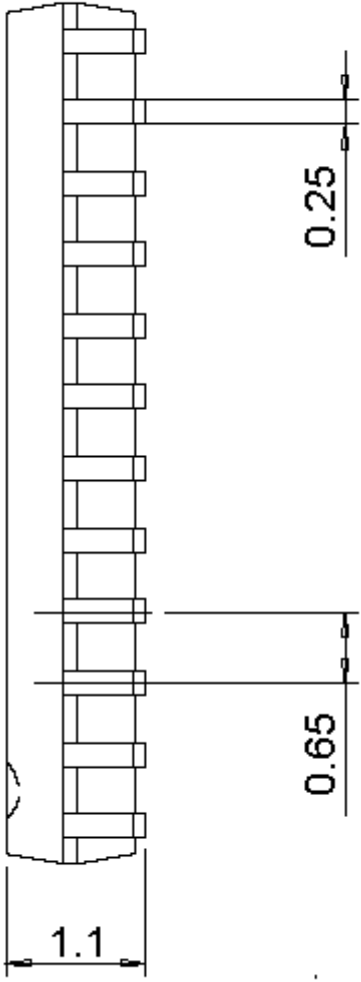
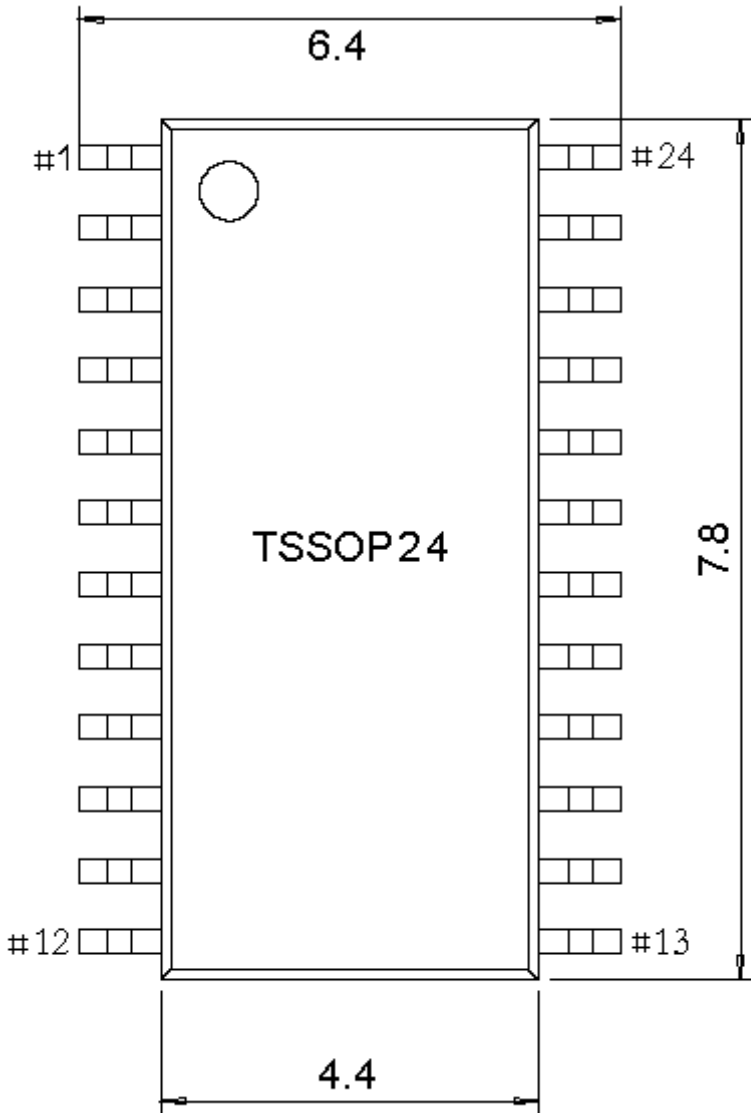
TSSOP16



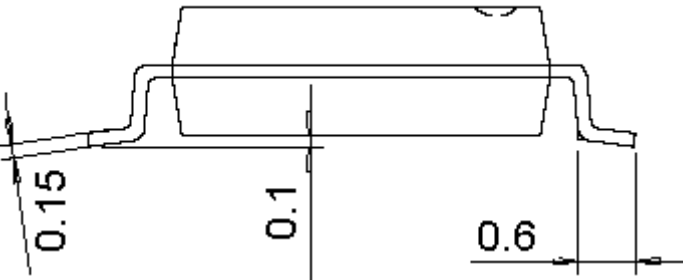
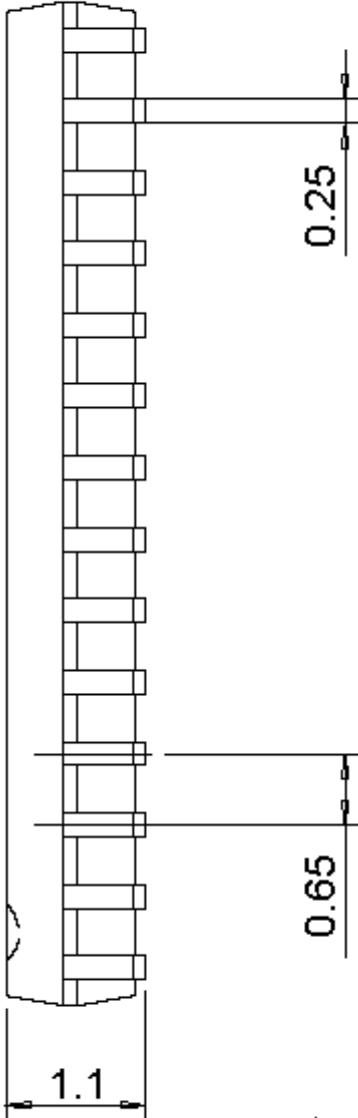
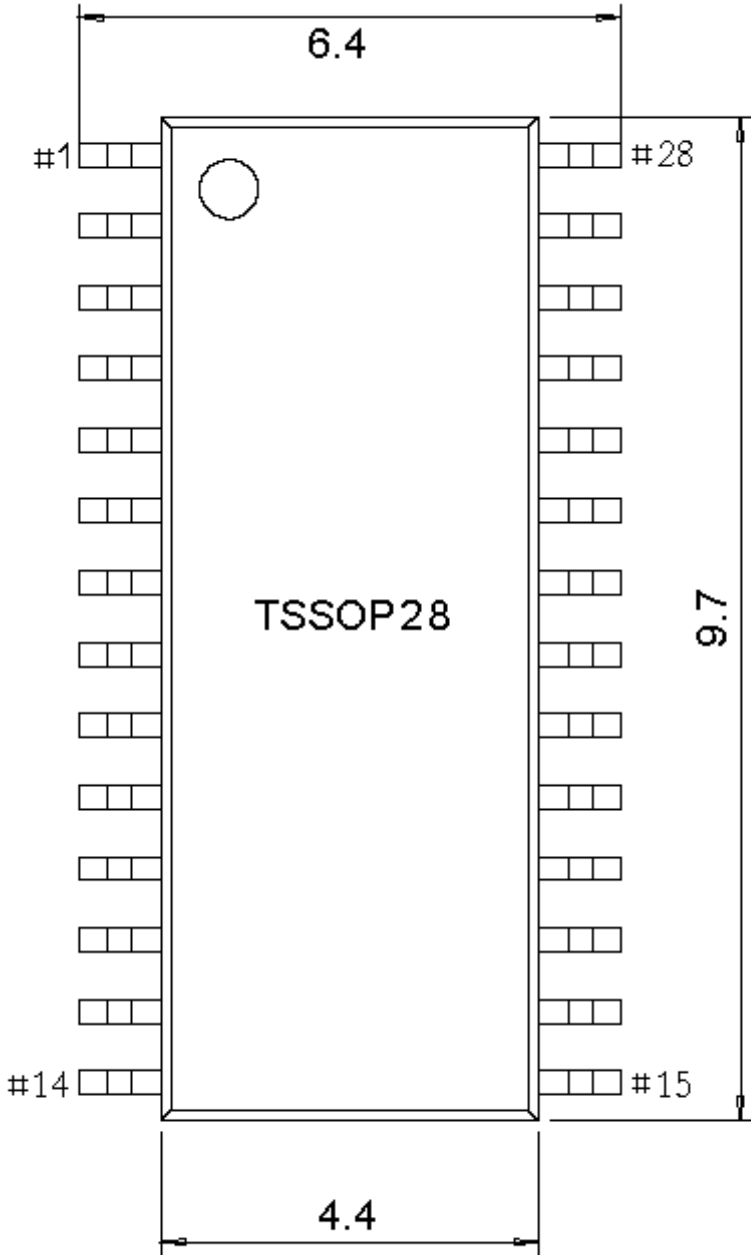
TSSOP20



TSSOP24

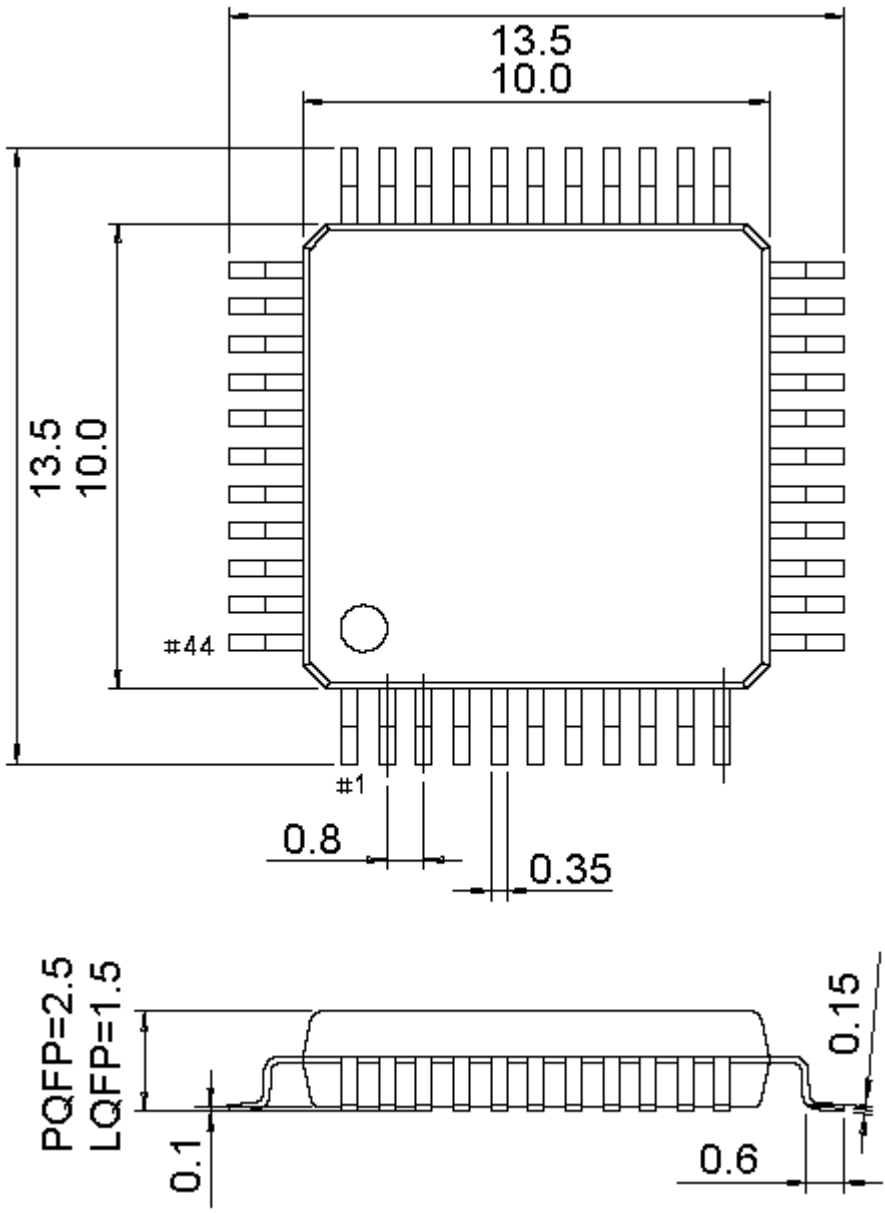


TSSOP28

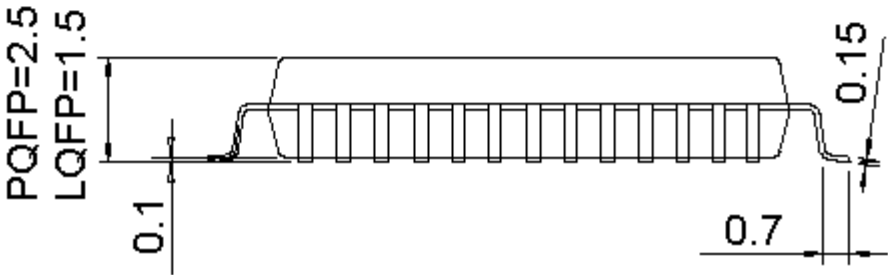
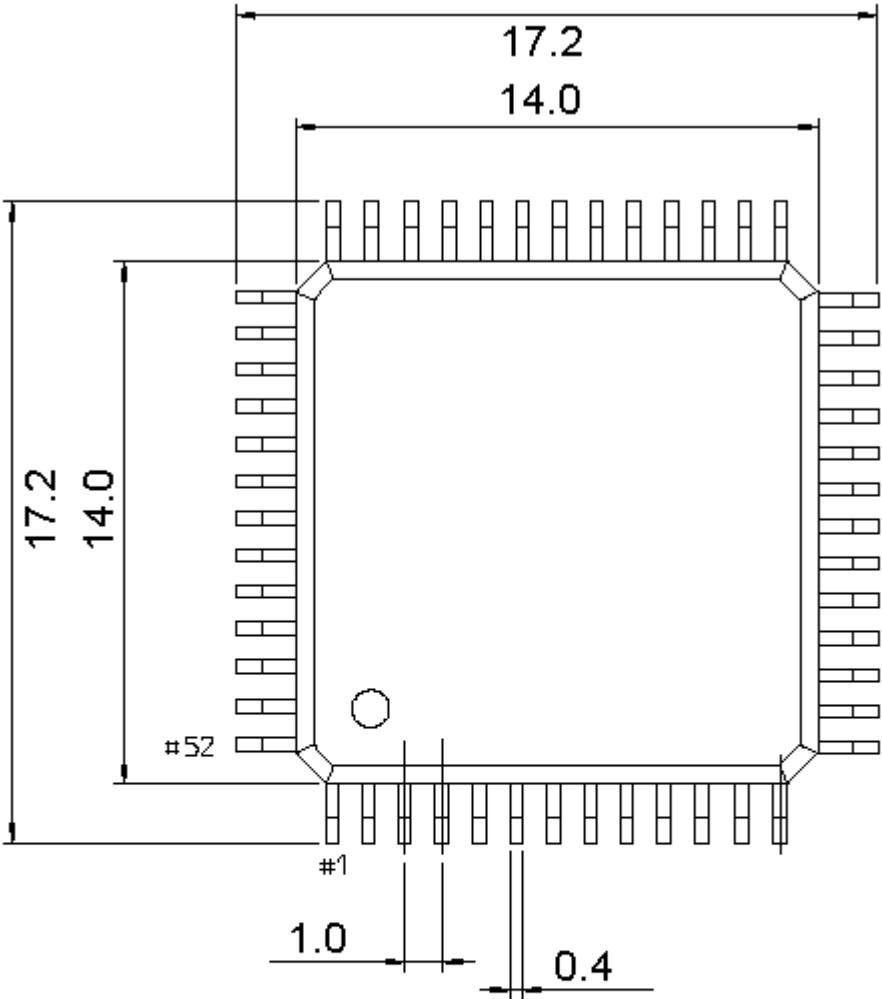


QFP 类 (PQFP、LQFP、TQFP)

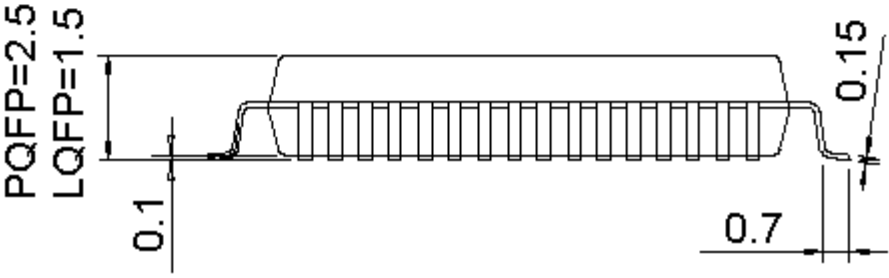
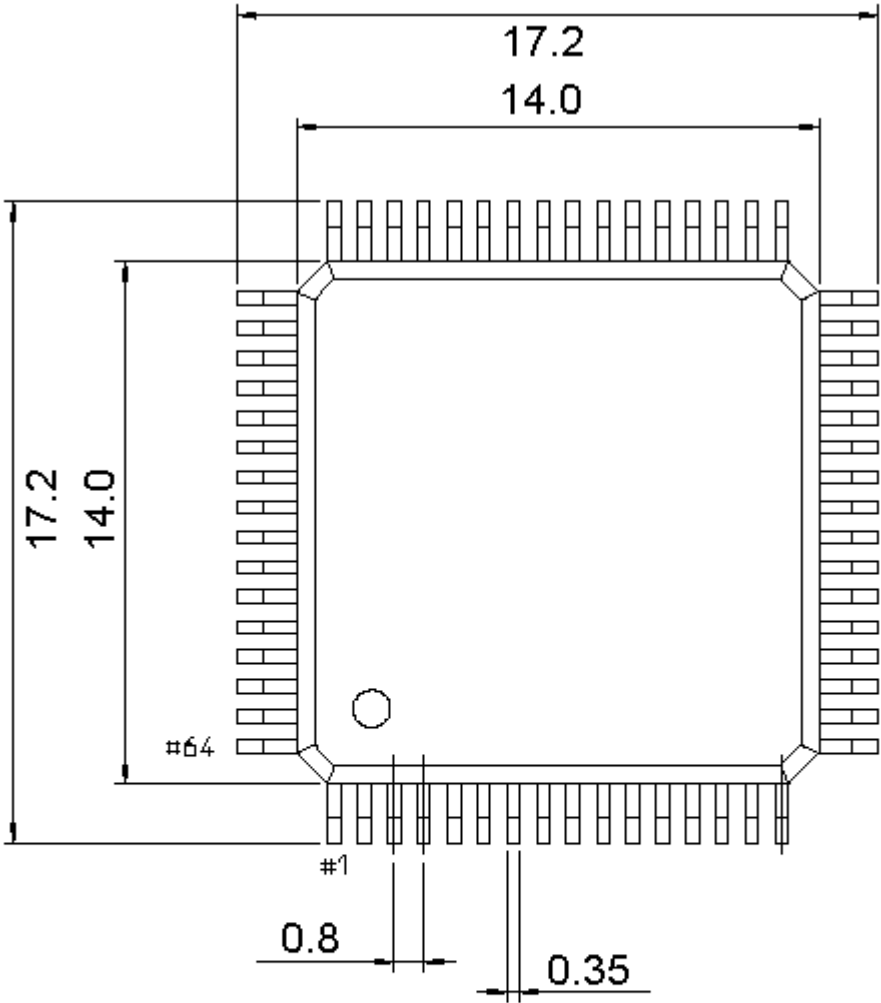
PQFP44 (QFP44)



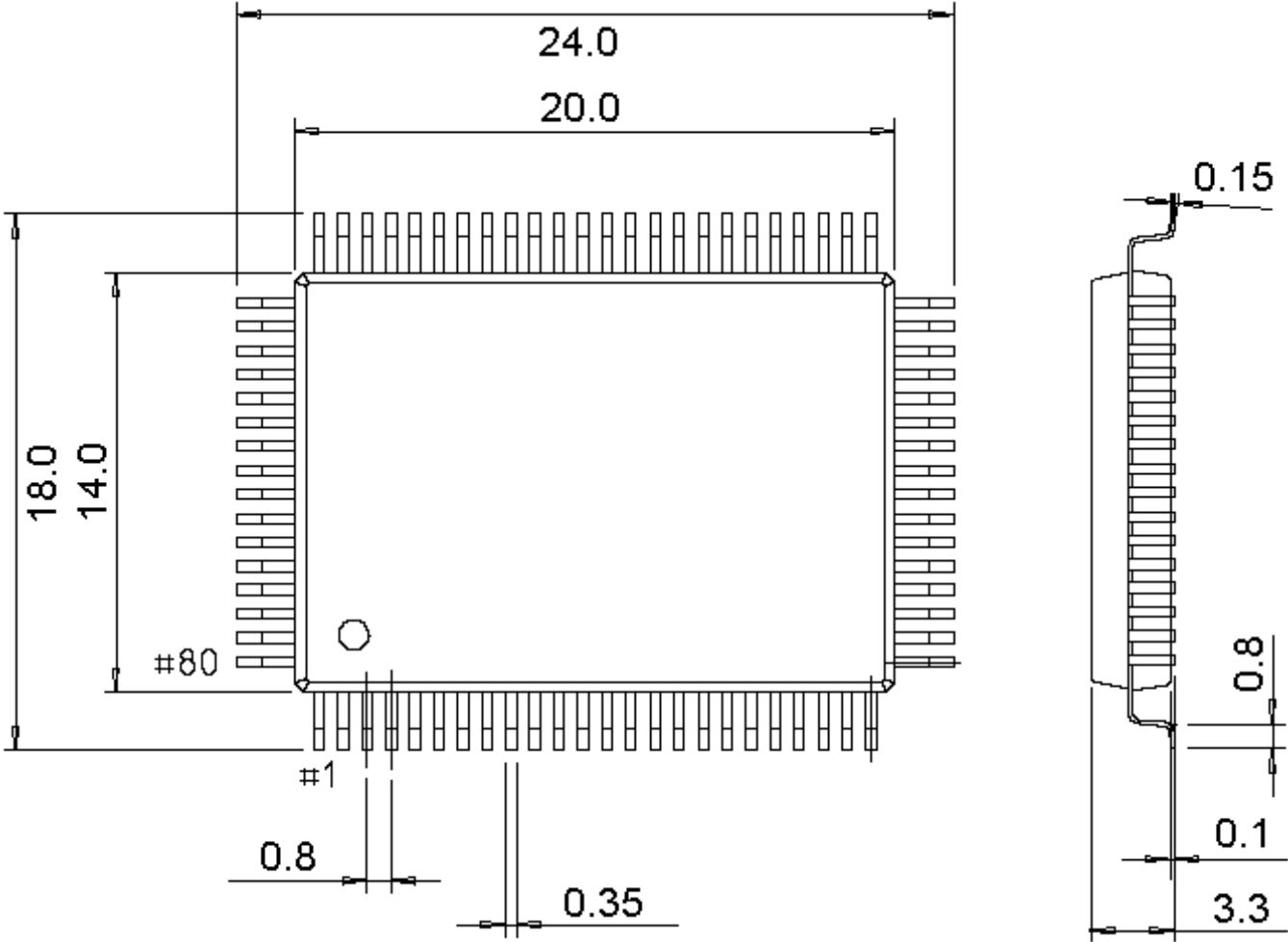
PQFP52 (QFP52)



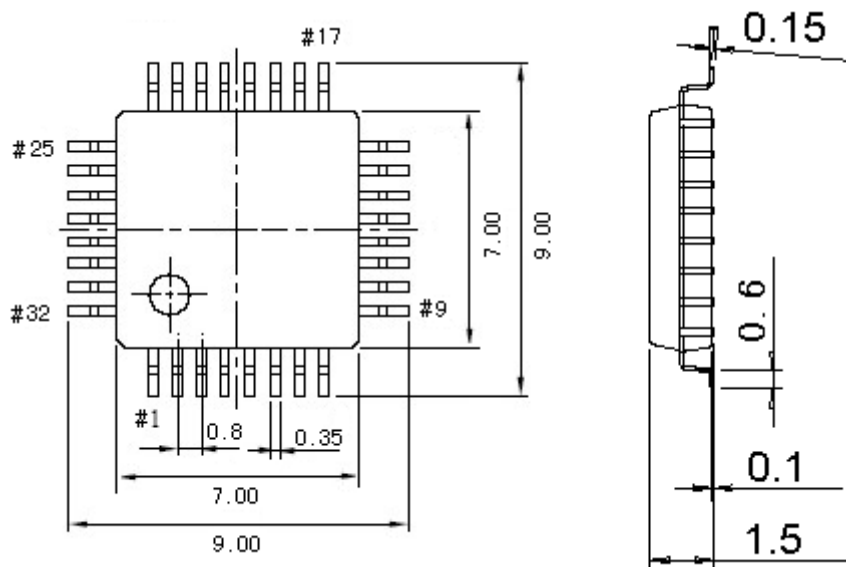
PQFP64 (QFP64、LQFP64-14*14)



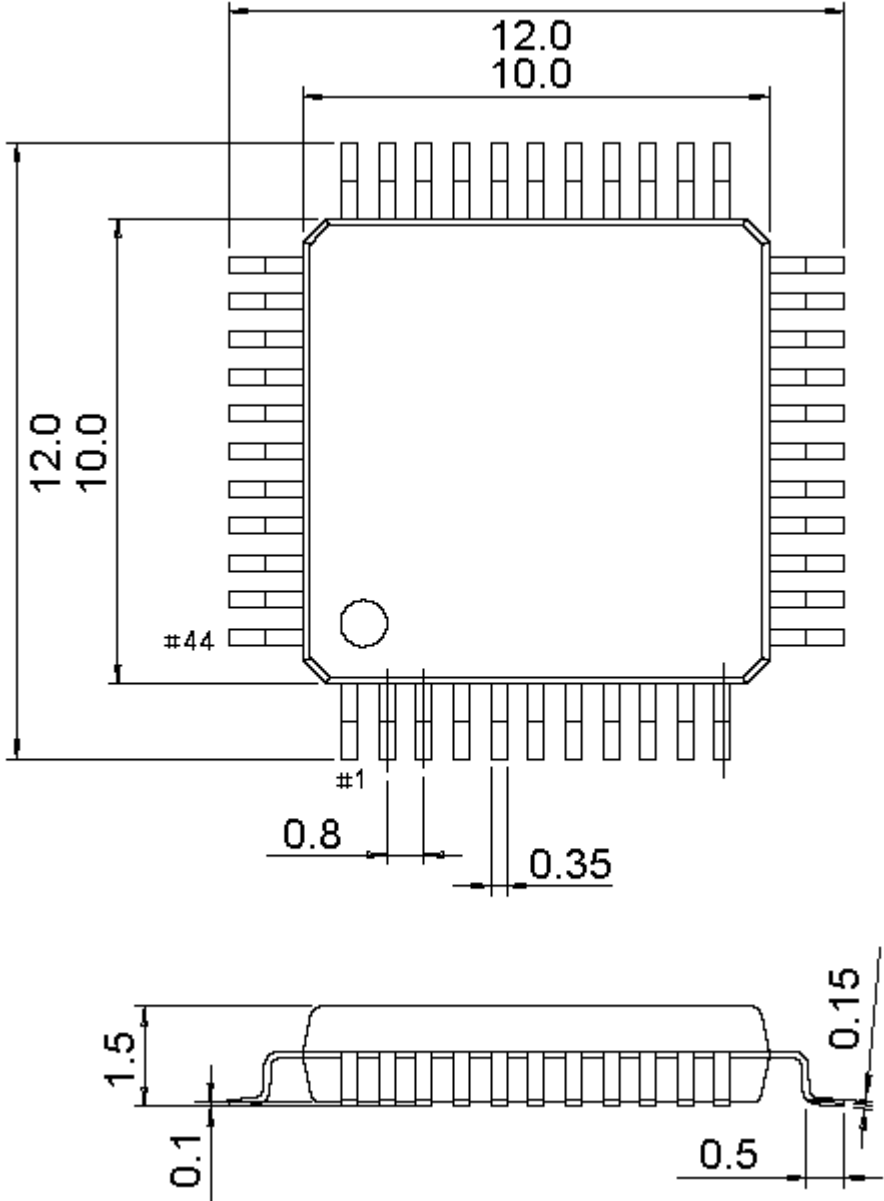
PQFP80 (QFP80)



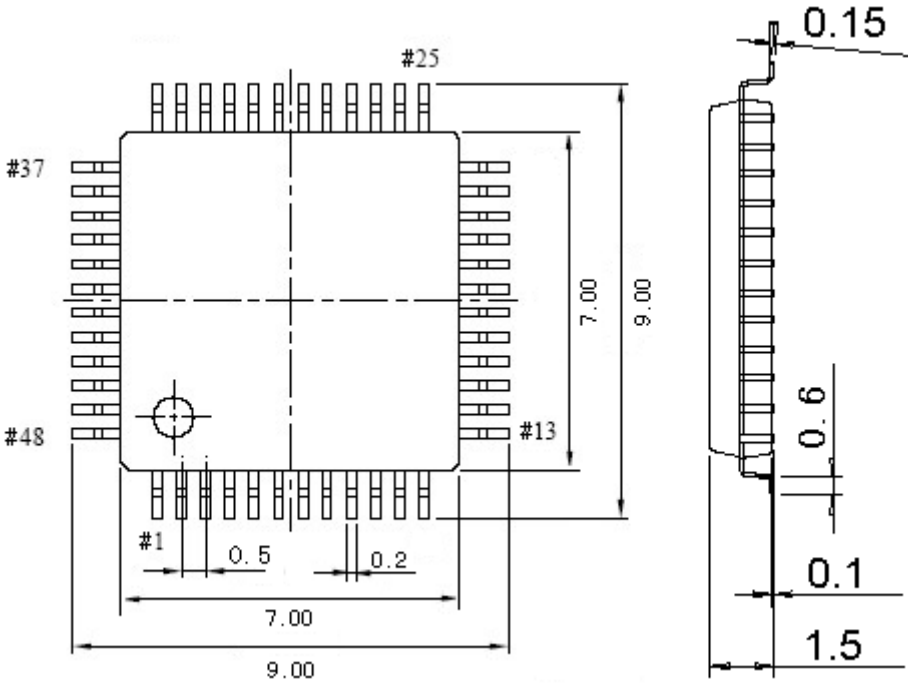
LQFP32 (LQFP32-7*7)



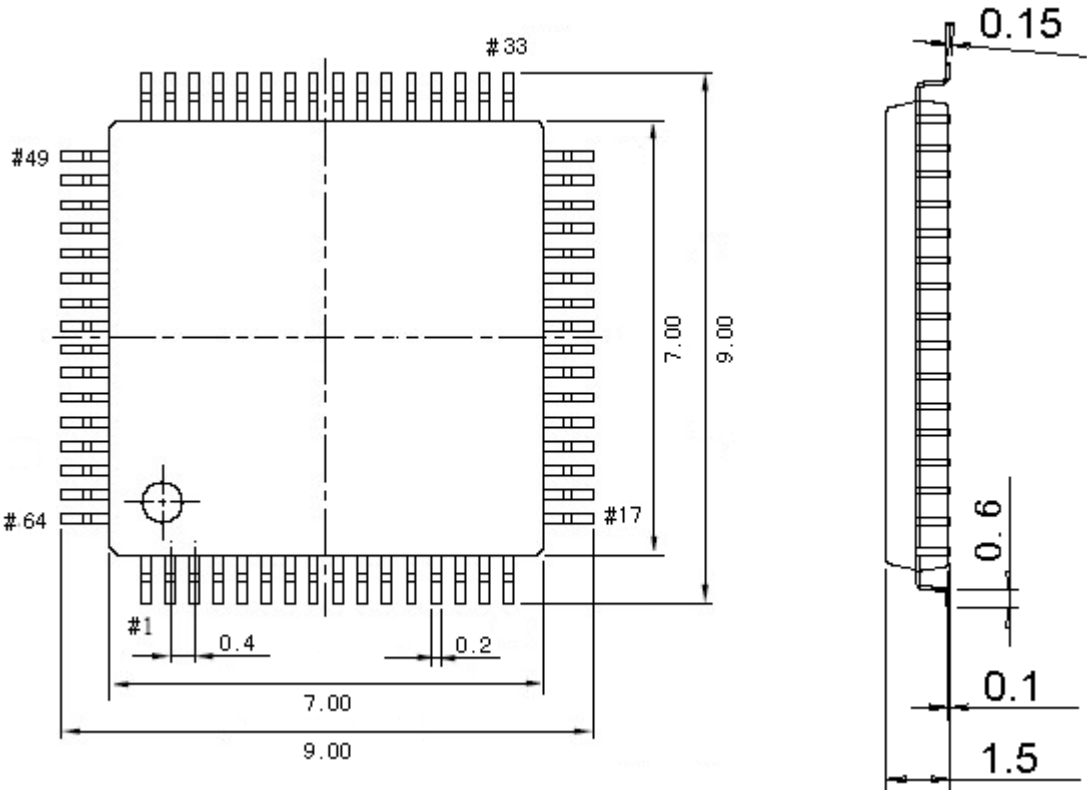
LQFP44 (LQFP44-10*10)



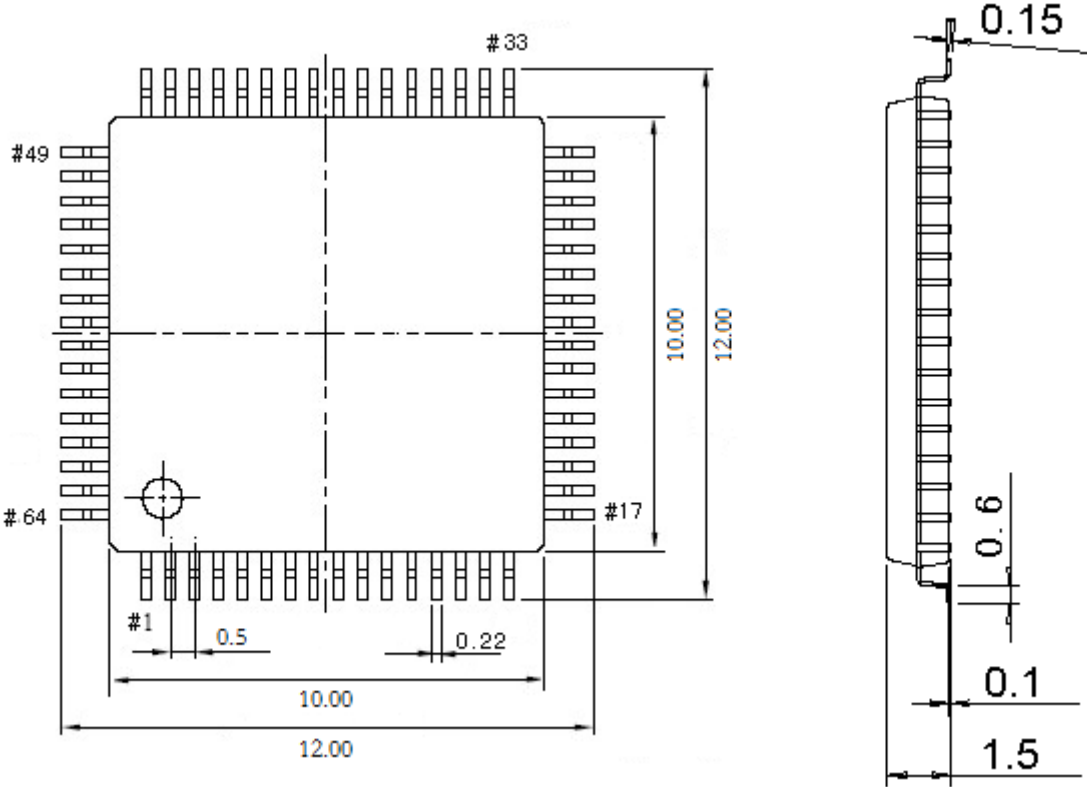
LQFP48 (LQFP48-7*7)



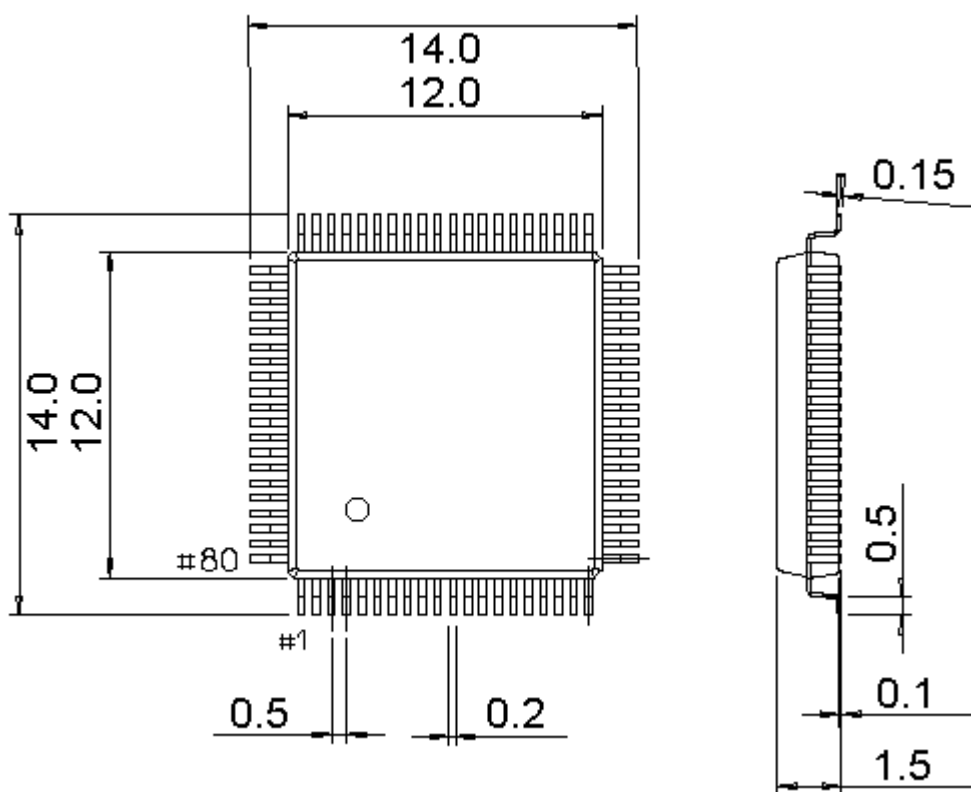
LQFP64 (LQFP64-7*7)



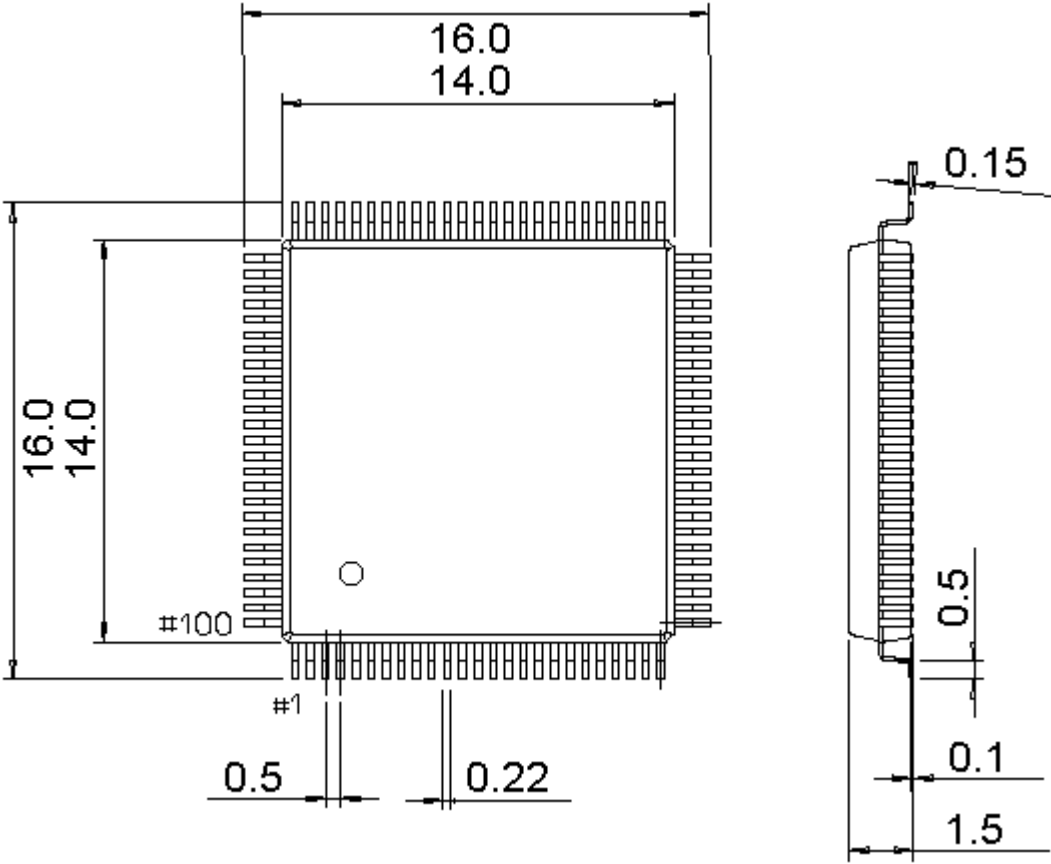
LQFP64M (LQFP64-10*10)



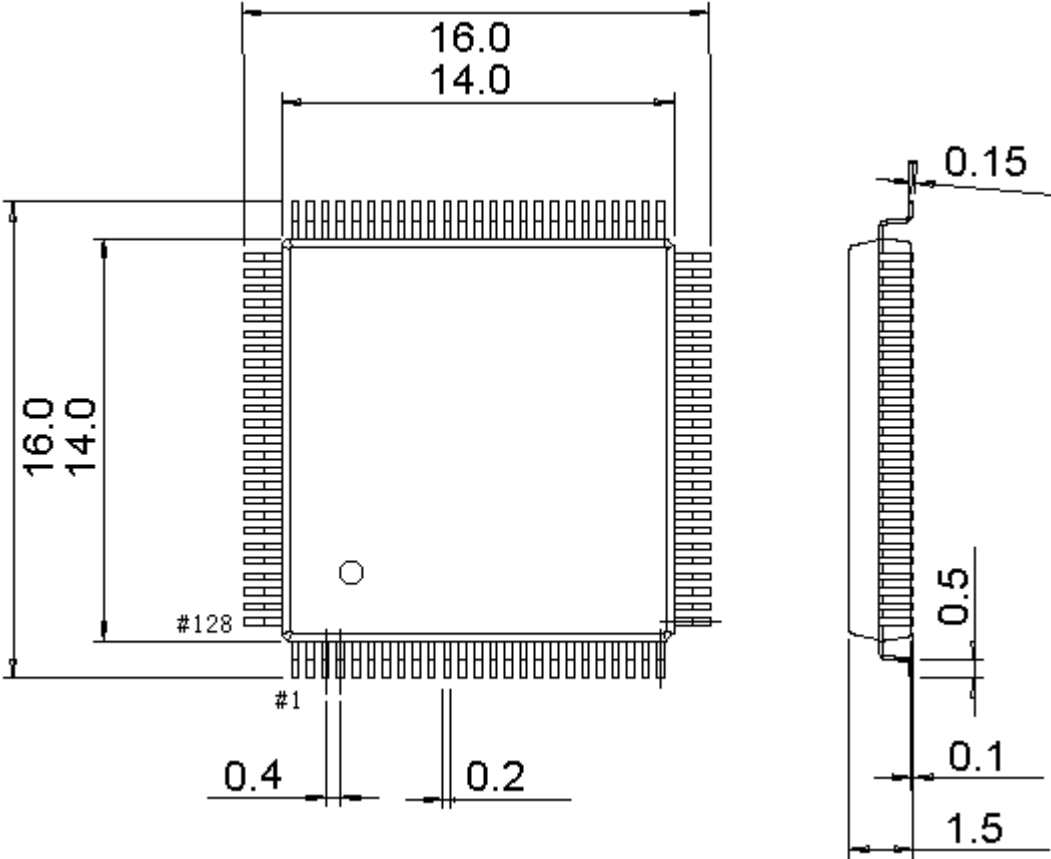
LQFP80 (LQFP80-12*12)



LQFP100 (LQFP100-14*14)

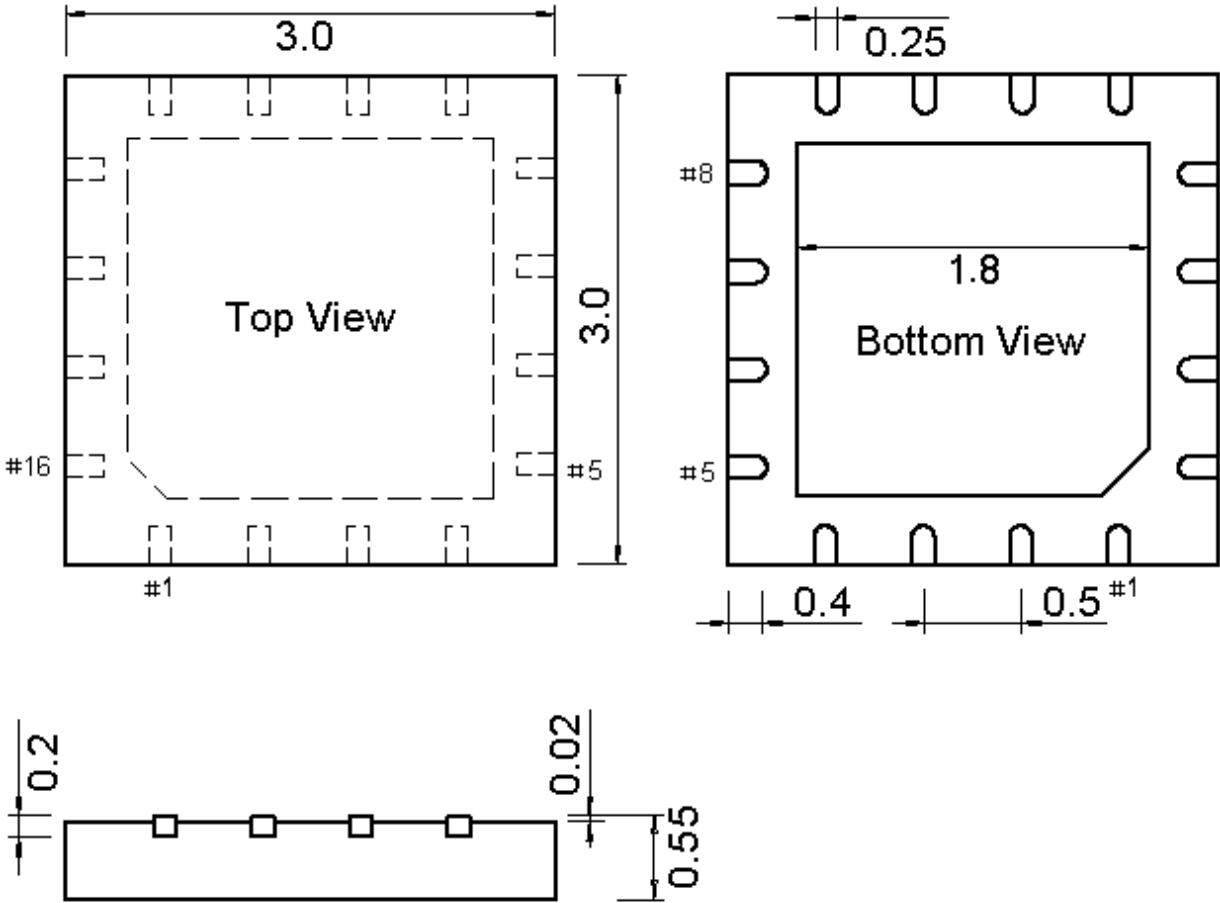


LQFP128 (LQFP128-14*14)

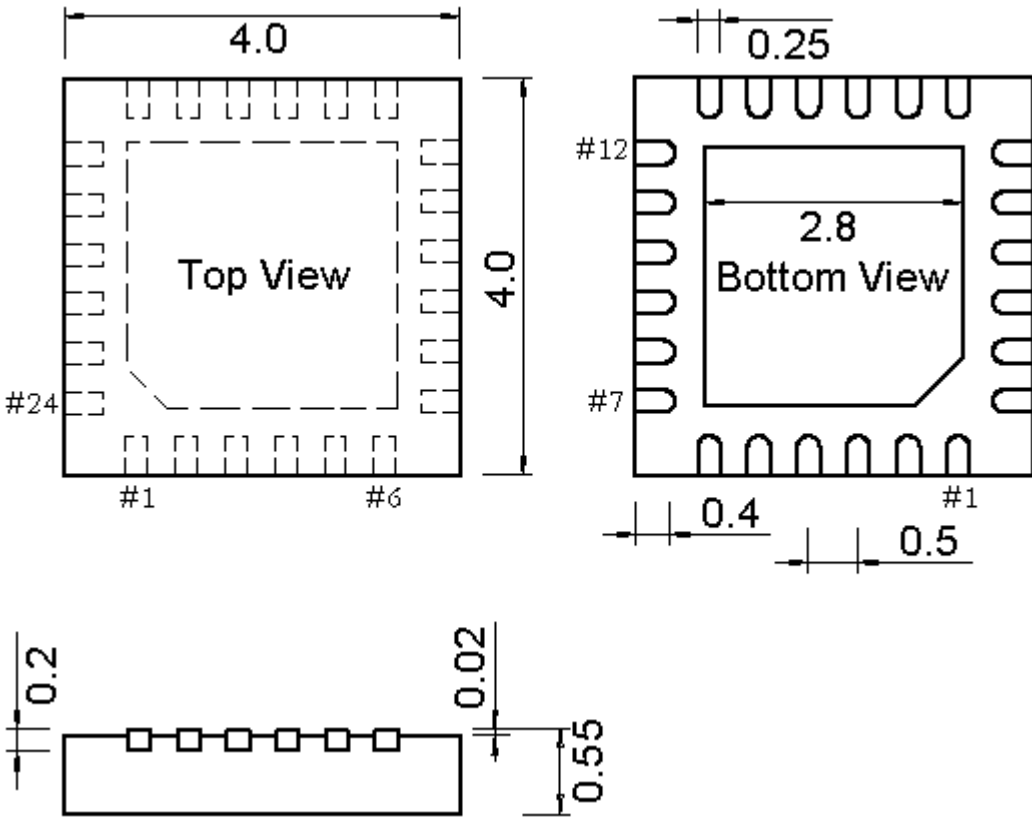


QFN 类

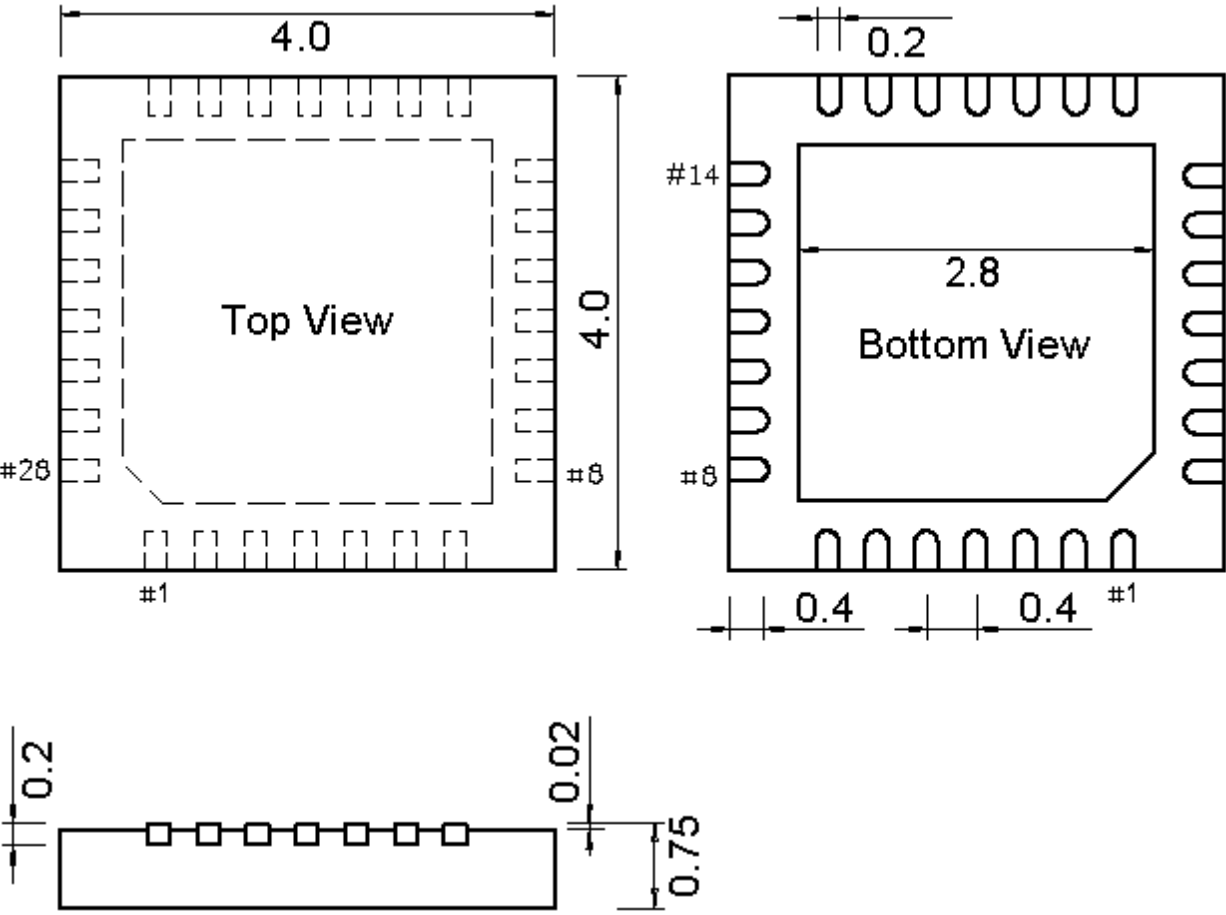
QFN16 (QFN16-3*3)



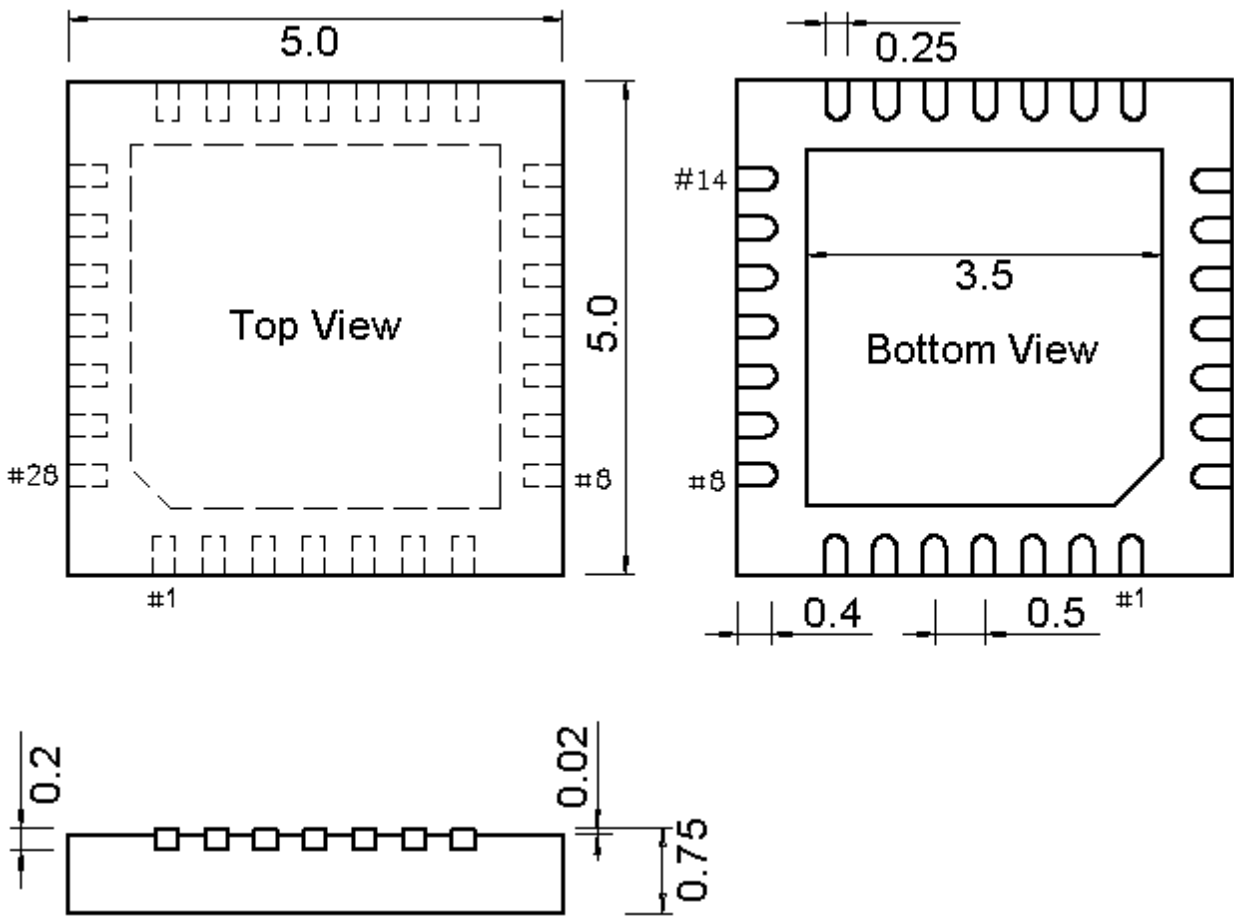
QFN24 (QFN24-4*4)



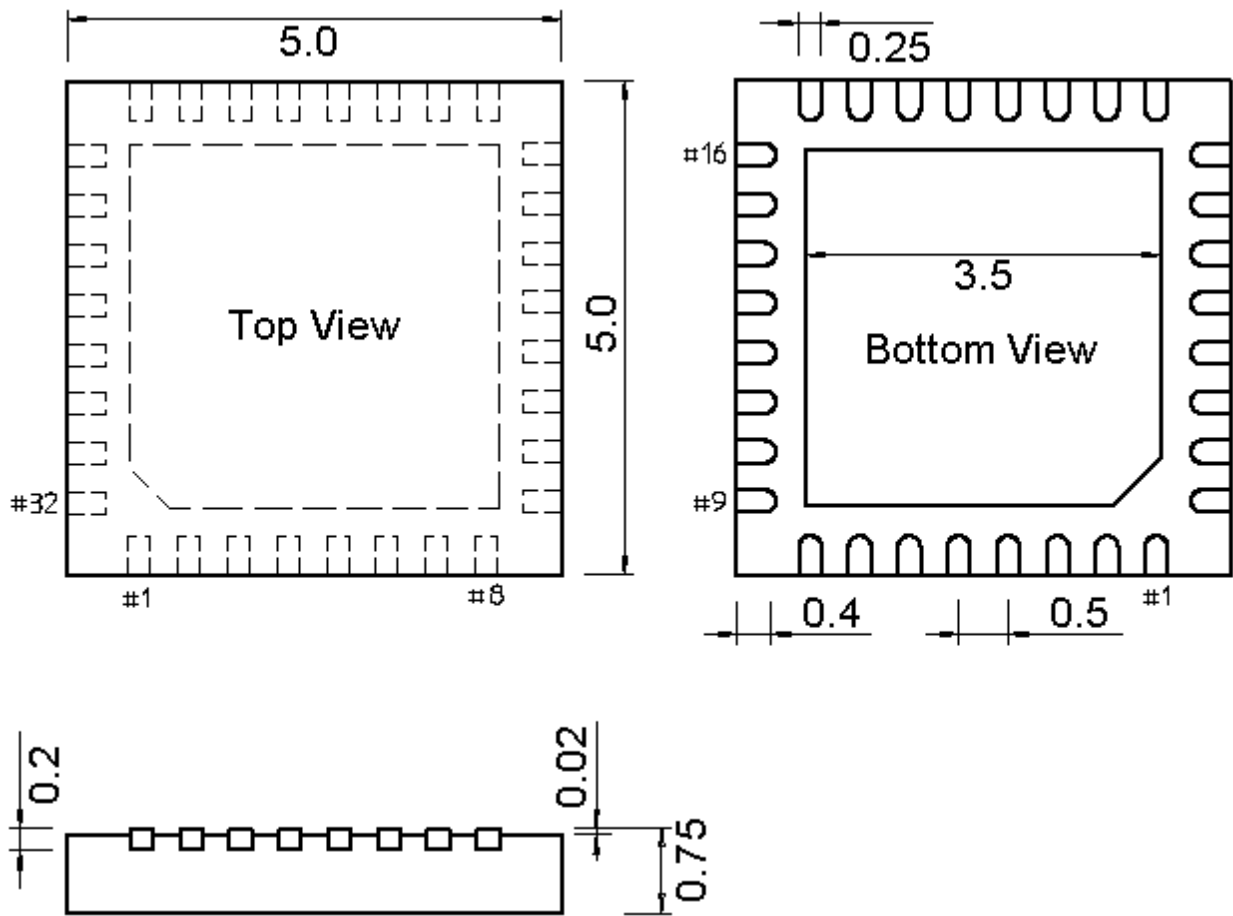
QFN28 (QFN28-4*4)



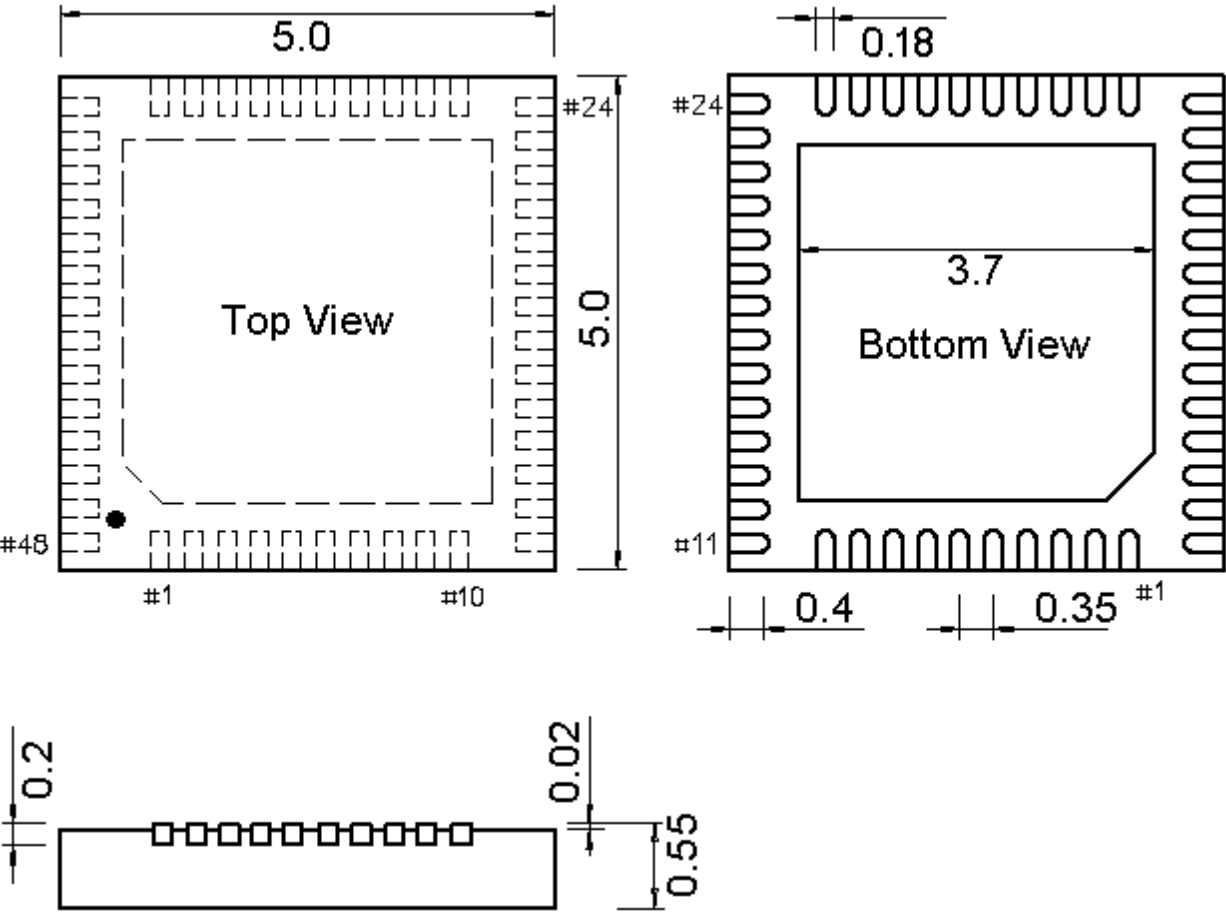
QFN28X (QFN28-5*5)



QFN32X (QFN32-5*5)

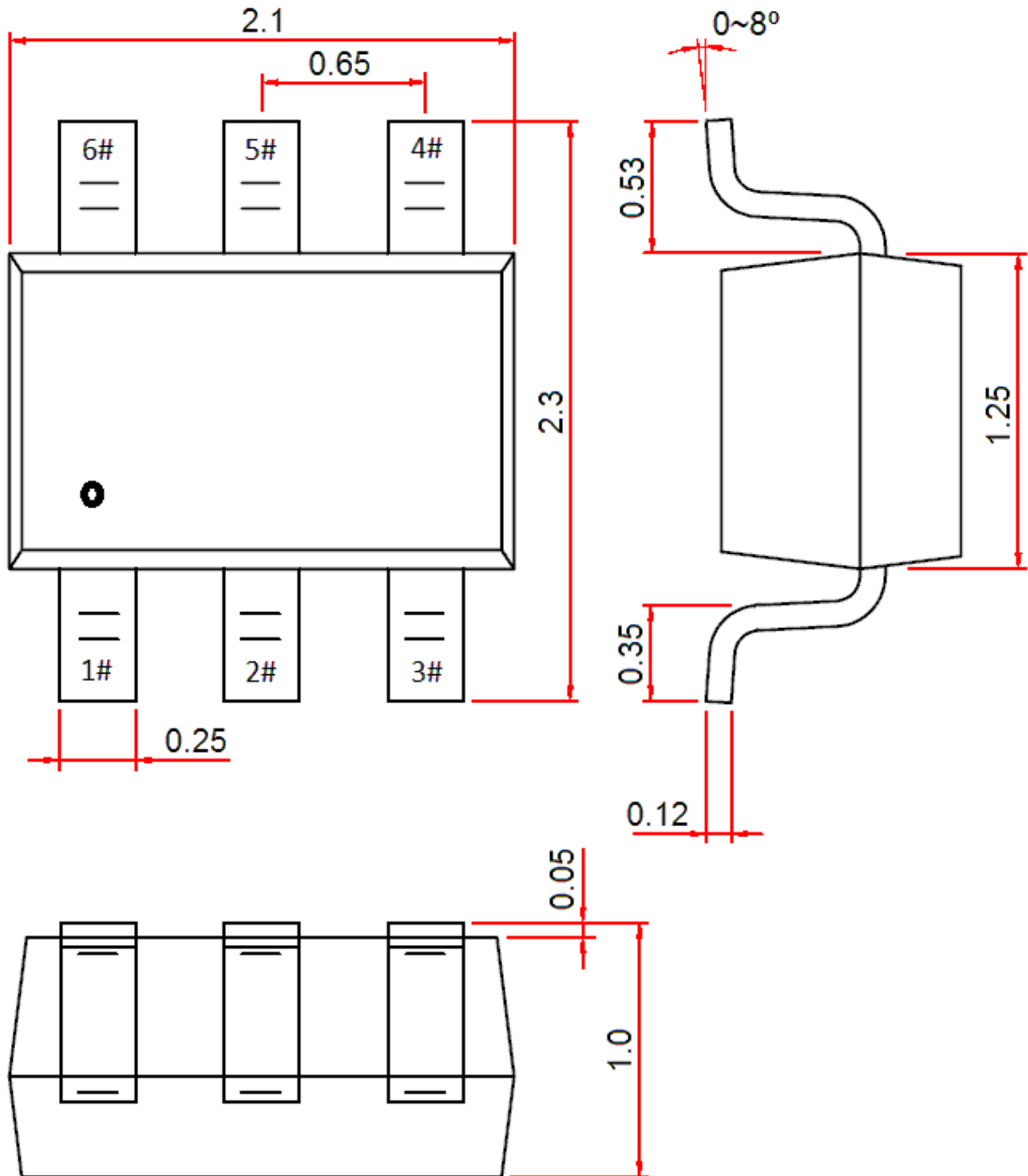


QFN48 (QFN48-5*5)



SOT 类

SOT363 (SC70-6L)



SOT353 (SC70-5L)

SOT353 仅比 SOT363 减少一个引脚（去掉原 5#，原 6#作为 SOT353 新 5#），其它同 SOT363。