

A

B

C

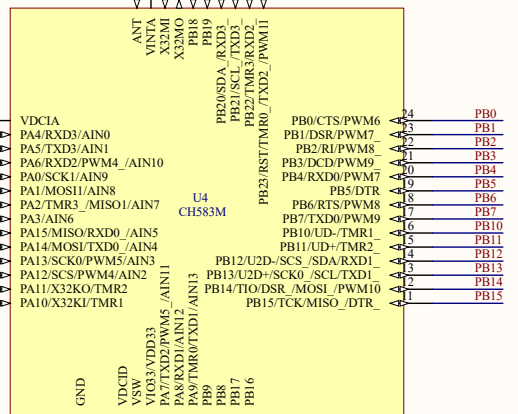
D

A

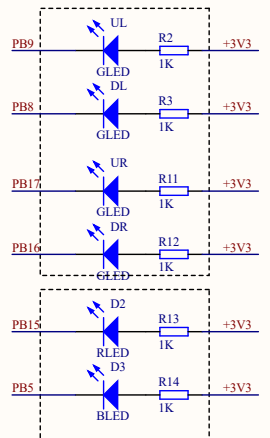
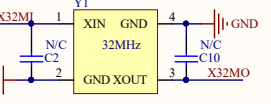
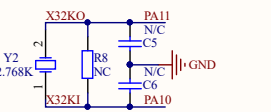
B

C

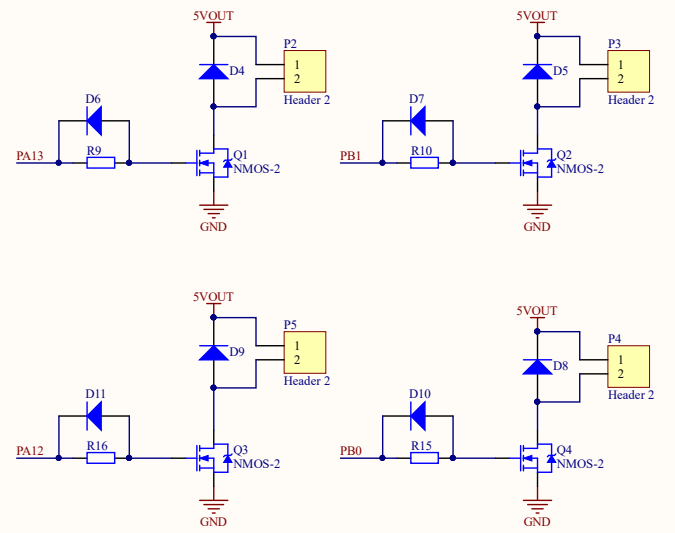
D



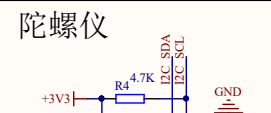
MCU



指示灯

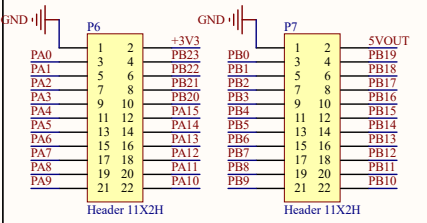
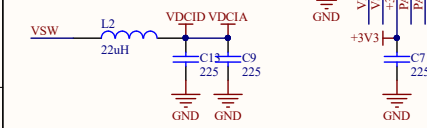


电机输出



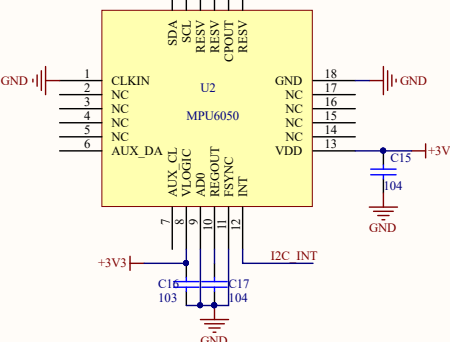
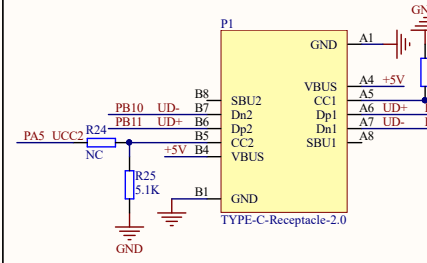
陀螺仪

- I2C SDA PB12
- I2C SCL PB13
- I2C INT PB14

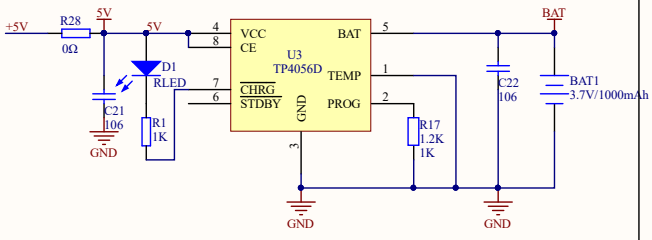


- UCC1 PA4
- UCC2 PA5
- UD- PB10
- UD+ PB11

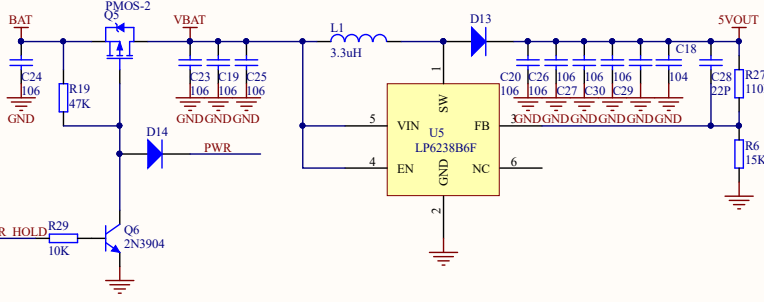
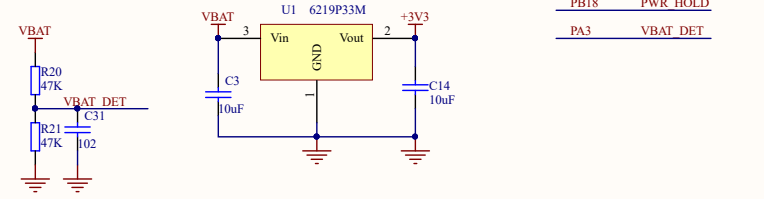
USB type C



电池充电管理



POWER



Title		
自学无人机制作		
Size	Number	Revision
A3		V1.0
Date:	2022/2/4	Sheet of
File:	D:\NEO.CH32.FLY_CTRL\FLY_CTRL.SchDoc	Drawn By:

Comment	Description	Designator	Footprint	LibRef	Quantity
ANT		ANT1	ANT-F-1-2.4G-1.6-WCH	ANT	1
3.7V/1000mAh	Multicell Battery	BAT1	PH2.0	Battery	1
N/C	Capacitor	C1, C2, C4, C5, C6, C10	0402	Cap	6
10uF	Capacitor	C3	3216	CAP	1
225	Capacitor	C7, C9, C13	0402	CAP	3
225	Capacitor	C8	0603	CAP	1
104	Capacitor	C11, C15, C17, C18	0402	CAP	4
222	Capacitor	C12	0402	CAP	1
10uF	Capacitor	C14	0603	CAP	1
103	Capacitor	C16	0402	CAP	1
106	Capacitor	C19, C20, C23, C25, C26, C27, C29, C30	0805	Cap	8
106	Capacitor	C21, C22	0603	Cap	2
106	Capacitor	C24	1608[0603]	Cap	1
22P	Capacitor	C28	0402	Cap	1
102	Capacitor	C31	0402	CAP	1
RLED	Typical INFRARED GaAs LED	D1	0603+	LED0	1
RLED	Typical INFRARED GaAs LED	D2	D0603	LED0	1
BLED	Typical INFRARED GaAs LED	D3	D0603	LED0	1
Diode	Default Diode	D4, D5, D8, D9	1206+	Diode	4
Diode	Default Diode	D6, D7, D10, D11	D0603	Diode	4
Diode	Default Diode	D13	SMB	Diode	1
1N4148	Default Diode	D14, D15	1206+	Diode	2
GLD	Typical INFRARED GaAs LED	DL, DR, UL, UR	D0603	LED0	4
3.3uH	Inductor	L1	CD54	Inductor	1
22uH		L2	L2.2	INDUCTOR	1
TYPE-C-Receptacle-2.0	Type-C USB2.0 母座	P1	TYPE-C-Receptacle-2.0	TYPE-C-Receptacle-2.0	1
Header 2	Header, 2-Pin	P2, P3, P4, P5	HDR1X2	Header 2	4
Header 11X2H	Header, 11-Pin, Dual row, Right Angle	P6, P7	IDC22	Header 11X2H	2
NMOS-2	N-Channel Power MOSFET	Q1, Q2, Q3, Q4	SOT23_L	NMOS-2	4
PMOS-2	P-Channel Power MOSFET	Q5	SOT-23B_L	PMOS-2	1
2N3904	NPN Bipolar Transistor	Q6	SOT-23_M	NPN	1
1K		R1, R2, R3, R11, R12, R13, R14	0402	RES	7
4.7K		R4, R18	0402	RES	2
22Ω		R5, R26	0402	RES	2
15K		R6	0402	RES	1
0Ω	Resistor	R7	0402	Res2	1
NC	Resistor, [NoValue], [NoValue]	R8, R23, R24	0402	Res2, RES, RES	3
10Ω	Resistor	R9, R10, R15, R16	0402	Res2	4
1.2K	Resistor	R17	0402	Res2	1
47K		R19, R20, R21	0402	RES	3
5.1K		R22, R25	0402	RES	2
110K		R27	0402	RES	1
0Ω		R28	0603	RES	1
10K		R29	0402	RES	1
RST#		S1, S3	4*4*1.5	BUTOON	2
Download		S2	4*4*1.5	BUTOON	1
6219P33M		U1	SOT-23	6219P33M	1
MPU6050		U2	QFN24_4X4	MPU6050	1
TP4056D		U3	SOP8	TP4056D	1
CH583M	RISC-V MCU with BLE/2*USB/ADC/PWM/SPI/I2C/4*UART	U4	QFN48_5X5	CH583M	1
LP6238B6F		U5	SOT-23-6	LP6238B6F	1
32MHz		Y1	XT3225	晶体	1
32.768K	Crystal Oscillator	Y2	fc-135	XTAL	1