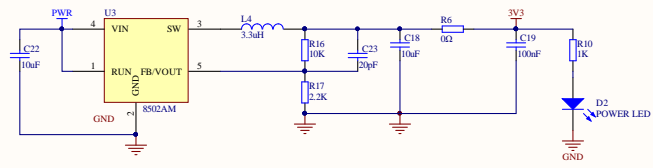
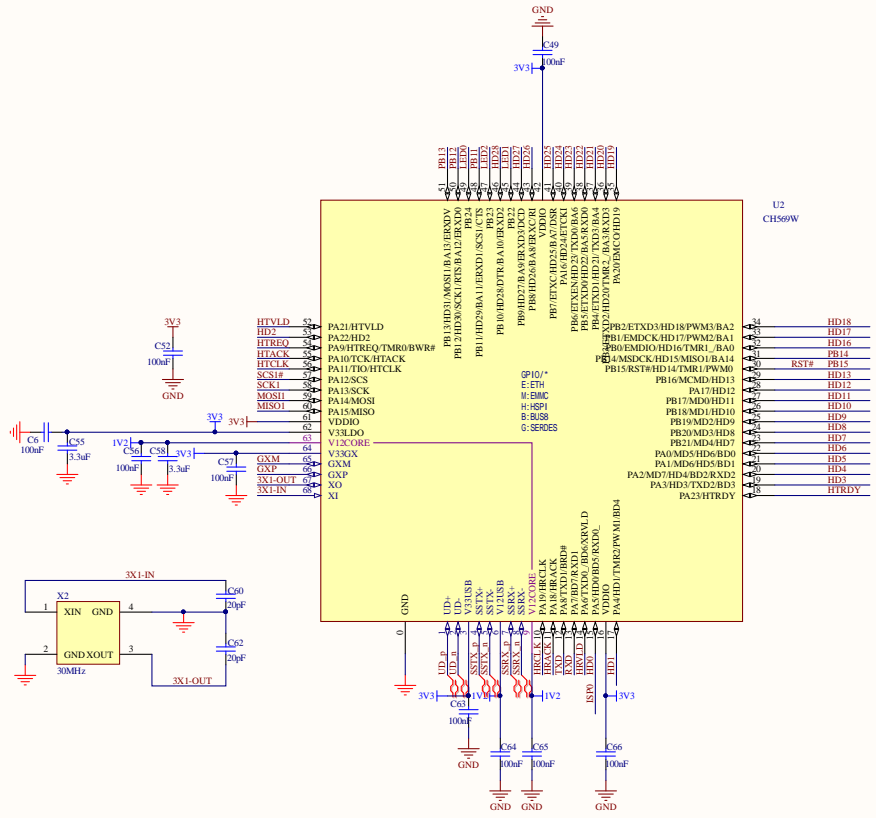


POWER



MCU



USB3.0

