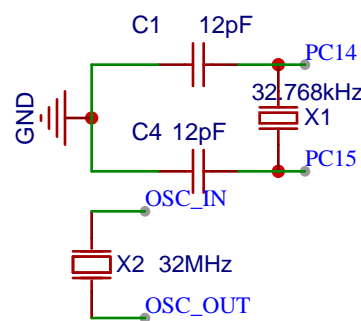
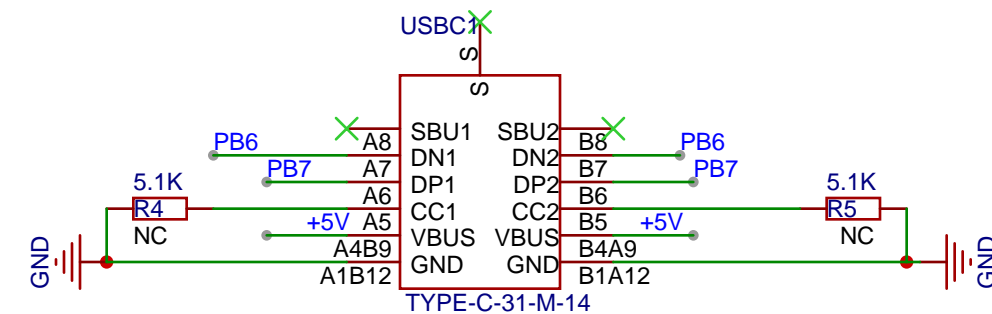
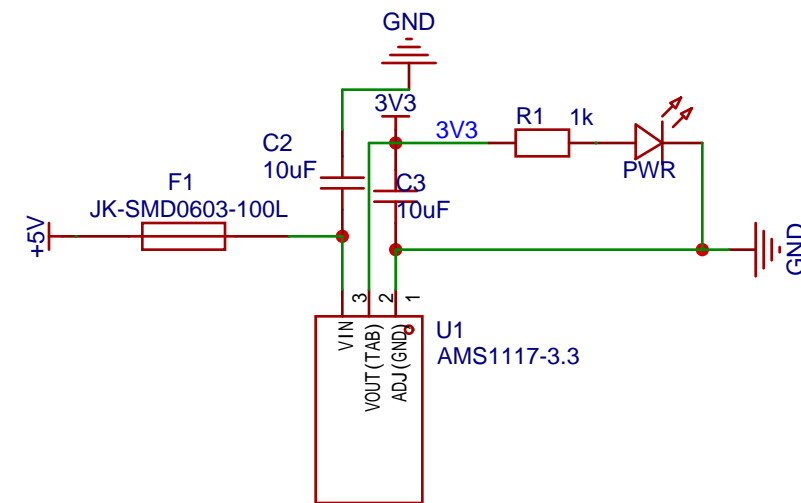


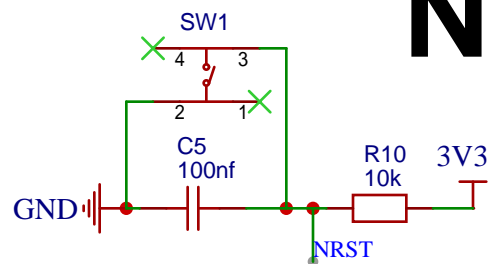
# XTAL



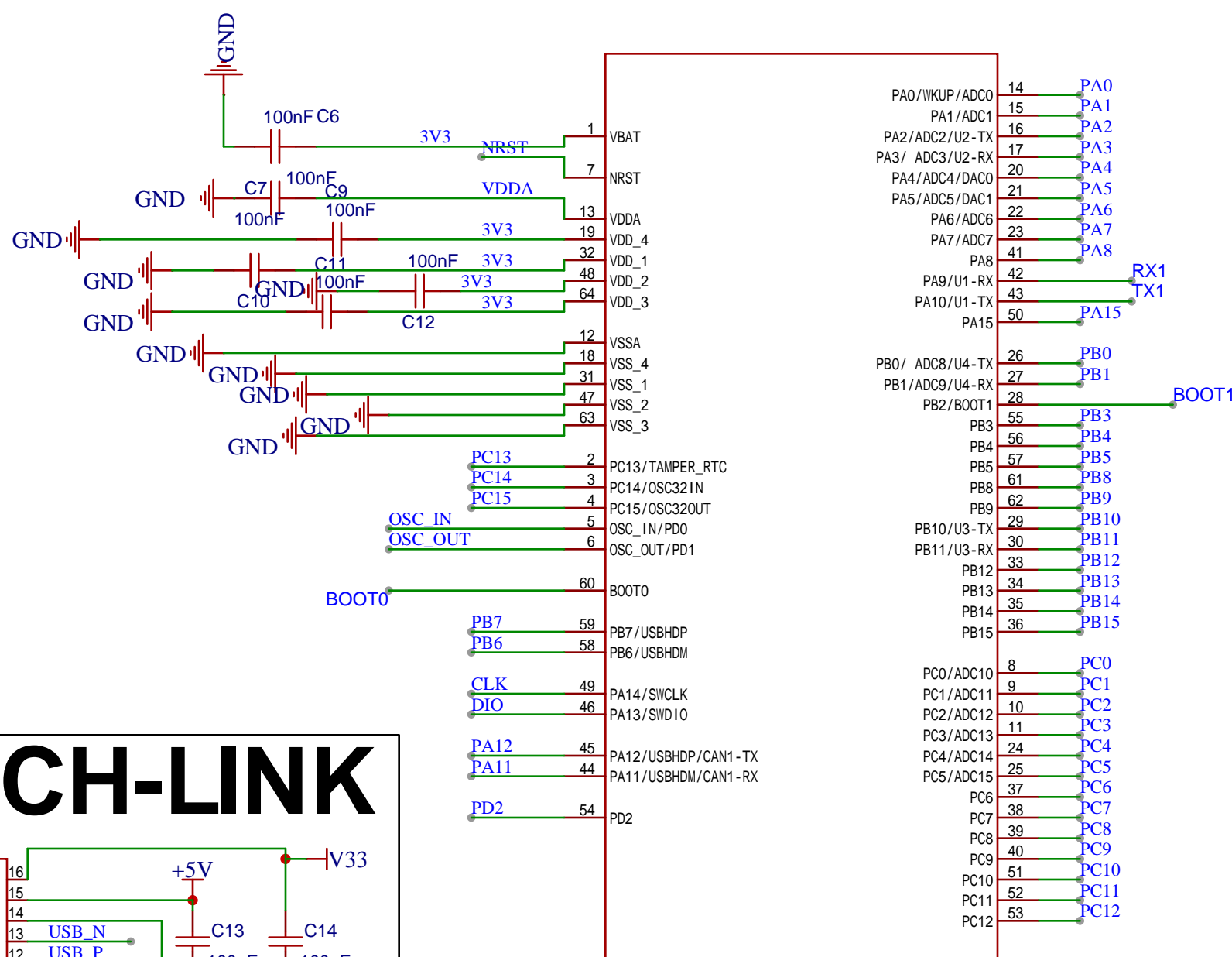
# POWER&USB



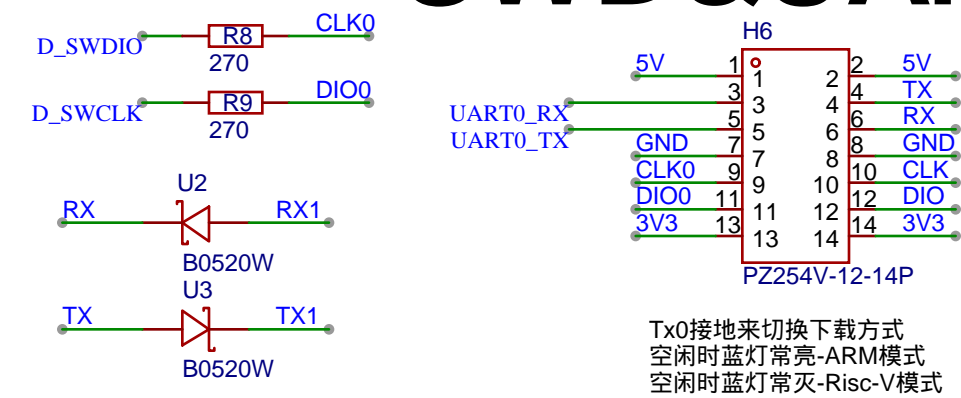
# NRST



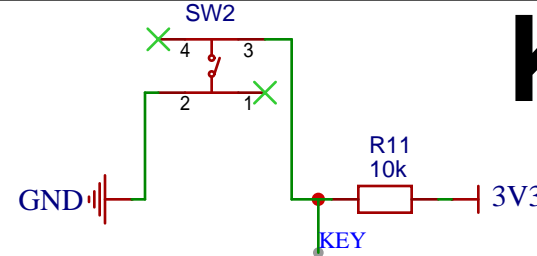
# CH32V203RBT6



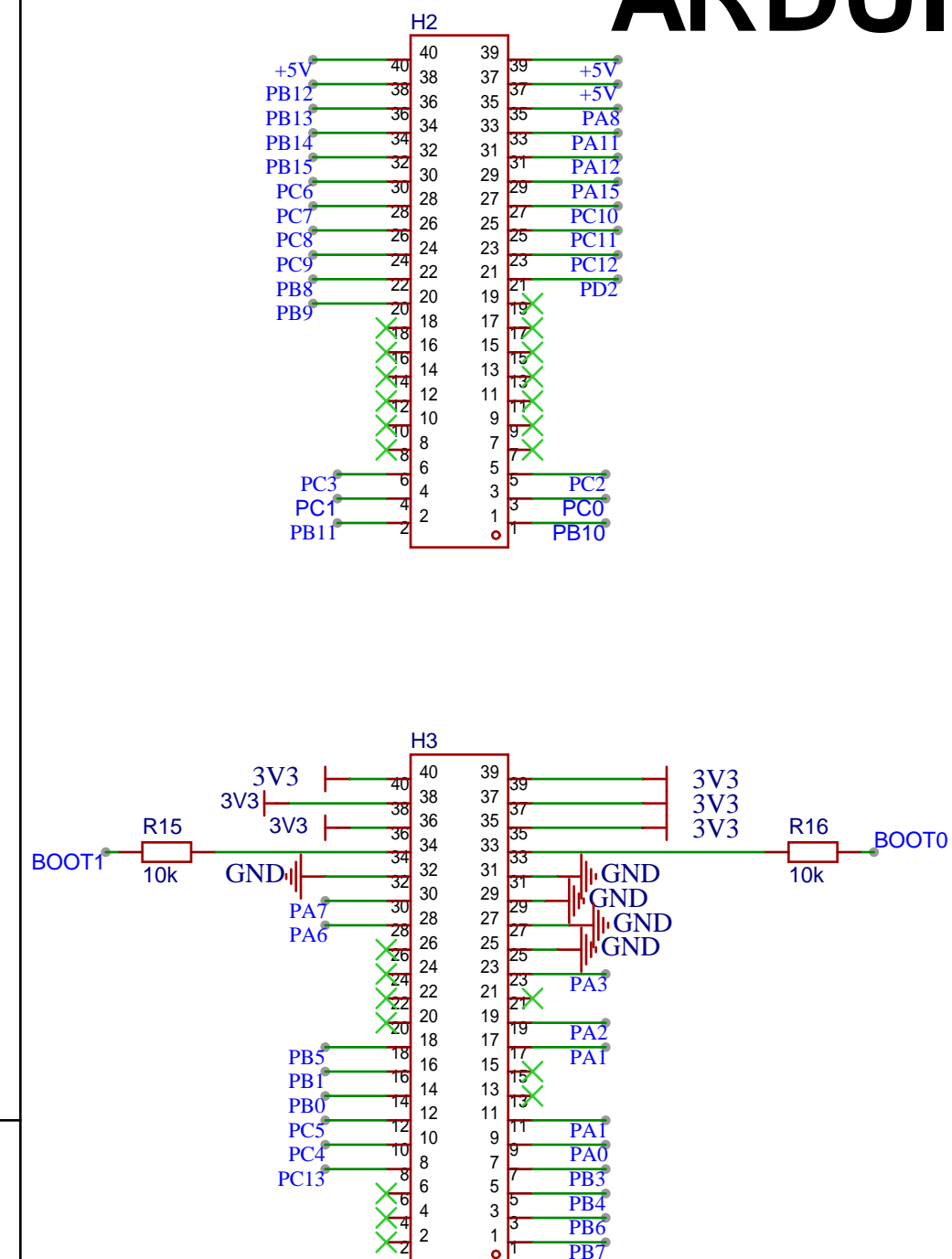
# SWD&UART



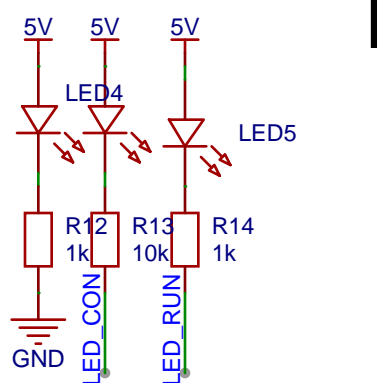
# KEY



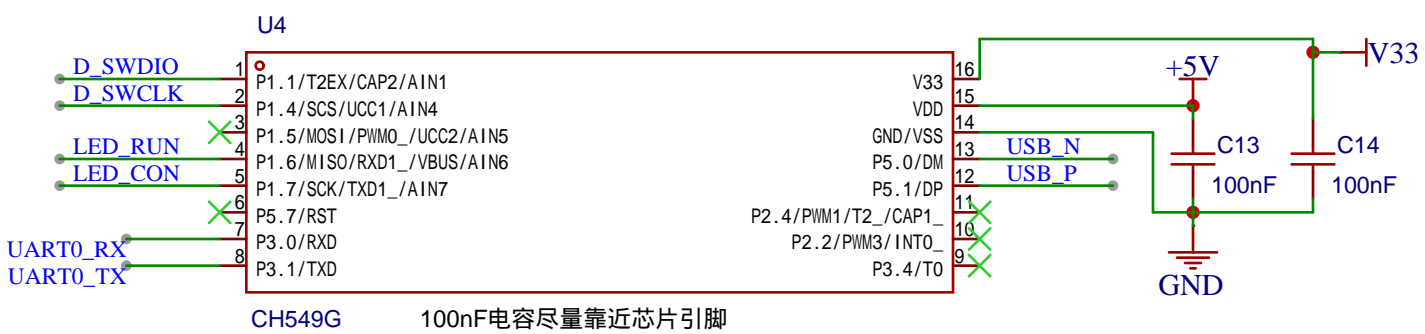
# ARDUINO



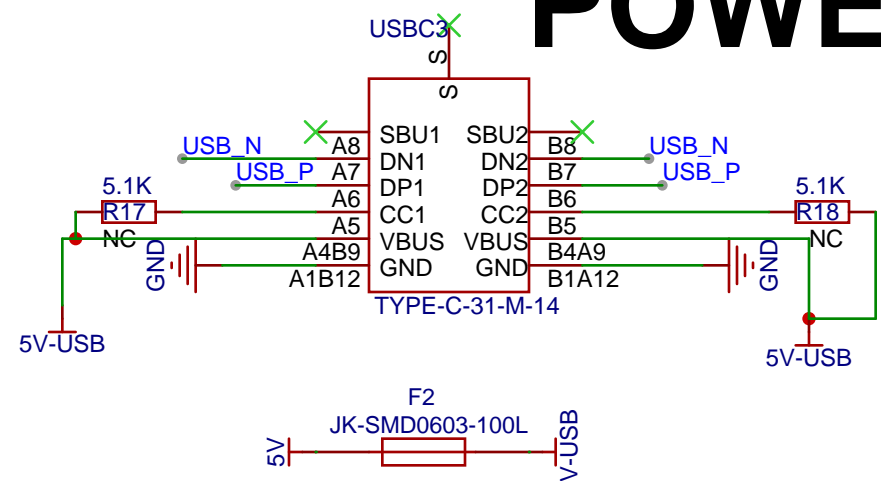
# LED



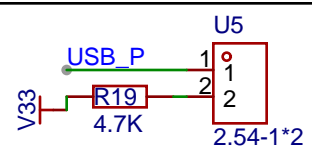
# WCH-LINK



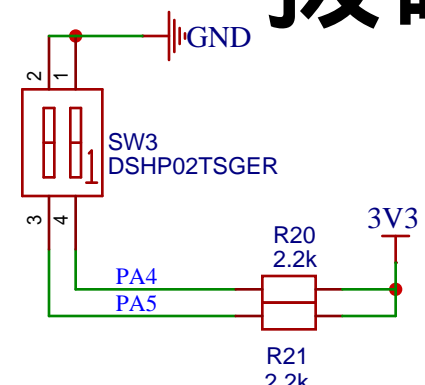
# POWER&USB



# BOOT



# 拨码



Schematic	Schematic1		Update Date	2023-03-06
Page	P1		Create Date	2023-02-26
Drawn			Part Number	
Reviewed			v203r	
			VER	SIZE
			V1.0	A4
			PAGE	1 OF 1
			嘉立创EDA	